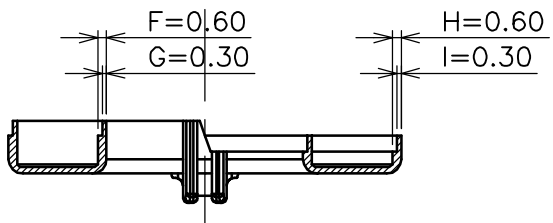
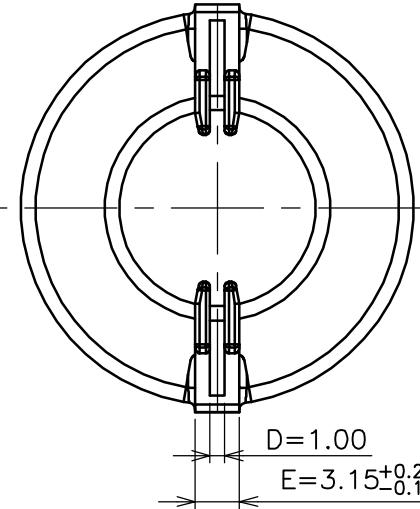
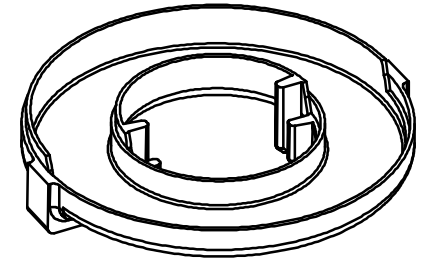
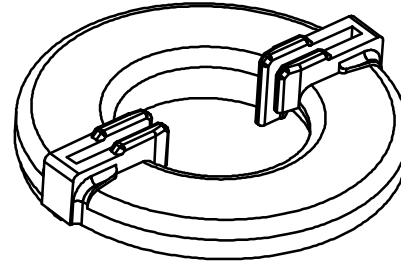


A

A



SCETION A-A



▲							
▲							
▲							
▲							
MARK	REVISION NOTE			DATE	DRAWN	CHECKED	APPROVED
DRAWN	CHECKED	APPROVED	MATERIAL : PET	UL REC. : UL94V-0	THIRD ANGLE PROJ.	SCALE : 1/2	
Daе So, Kim	Hyung Seok, Lee	Chul, Park		DATE : 2009.06.30	TOLERANCE : ±0.2 (Unless otherwise specified)	UNIT : m/m	
주식회사 대흥보빈 DAE HEUNG BOBBIN CO., LTD			TITLE OR 25*04 CAP		DWG NO DH-090630-6208-00		