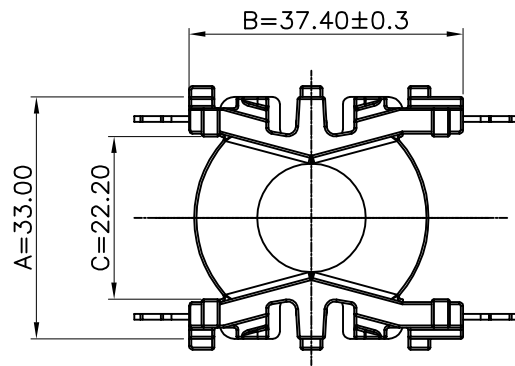


SECTION A-A



▲									
▲									
▲									
MARK	REVISION NOTE				DATE	DRAWN	CHECKED	APPROVED	
DRAWN	CHECKED	APPROVED	MATERIAL : PHENOL	UL REC. : UL94V-0	THIRD ANGLE PROJ.	SCALE : 1/1			
MS. Kim	KM. Seo	C. Park	Z : PIN LENGTH (According to customer's request)	DATE : 2015.11.30	TOLERANCE : ±0.2 (Unless otherwise specified)	UNIT : mm			
주식회사 대흥보빈 DAE HEUNG BOBBIN CO., LTD.			TITLE PQ 38*16 "V" (4P) hook			DWG NO DH-151228-8657-00			