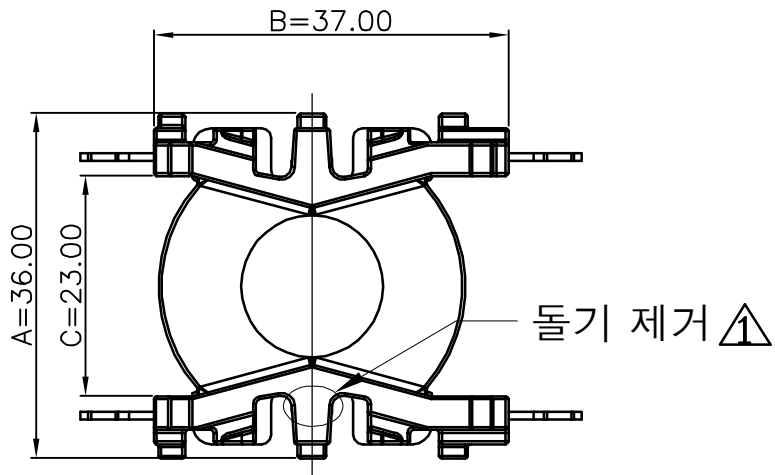


SECTION A-A



△								
△	박관구 돌기 제거			15.07.17	KM, Seo			C, Park
△	박관구 돌기 추가			15.06.24	KM, Seo			C, Park
△	박관구 돌기 삭제			15.06.24	KM, Seo			C, Park
MARK	REVISION NOTE			DATE	DRAWN	CHECKED	APPROVED	
DRAWN	CHECKED	APPROVED	MATERIAL : PHENOL	UL REC. : UL94V-0	THIRD ANGLE PROJ.	SCALE : 1/1		
GV, Jeon	KM, Seo	C, Park	Z : PIN LENGTH (According to customer's request)	DATE : 2014.12.05	TOLERANCE : ±0.2 (Unless otherwise specified)	UNIT : m/m		
주식회사 대흥보빈 DAE HEUNG BOBBIN CO., LTD			TITLE PQ 38*13 "V" (4P) hook		DWG NO DH-140317-6028-20			