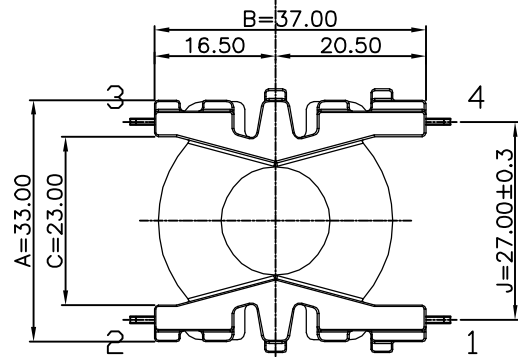


SECTION A-A



△							
△							
△							
△							
MARK	REVISION NOTE			DATE	DRAWN	CHECKED	APPROVED
DRAWN	CHECKED	APPROVED	MATERIAL : PHENOL	UL REC. : UL94V-0	THIRD ANGLE PROJ.	SCALE : 1/1	
Dae Soo, Kim	Hyung Seok, Lee	Chul, Park		DATE : 2010.09.02	TOLERANCE : ±0.2 (Unless otherwise specified)	UNIT : m/m	
주식회사 대흥보빈 DAE HEUNG BOBBIN CO., LTD			TITLE PQ 38*11 (4P) "V" (DIP)		DWG NO DH-101021-6028-16		