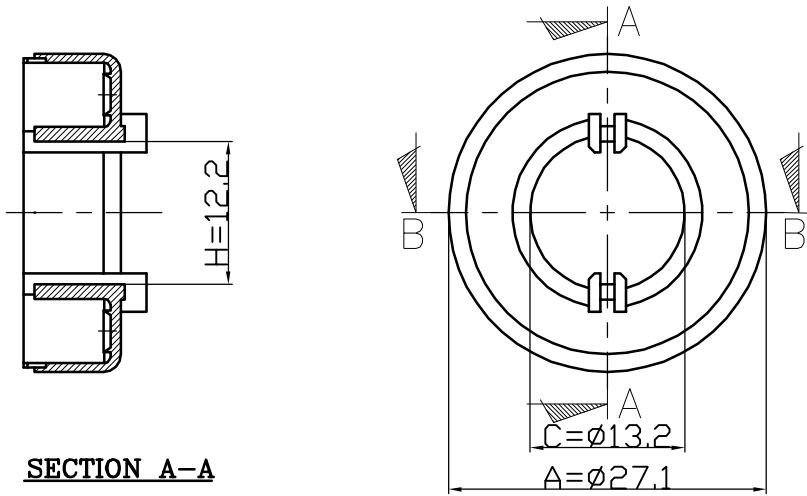
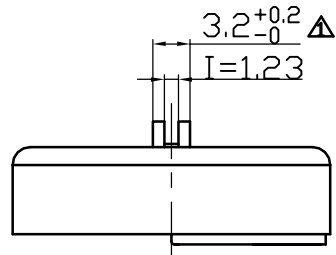
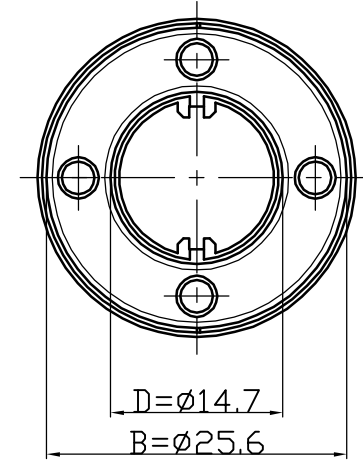
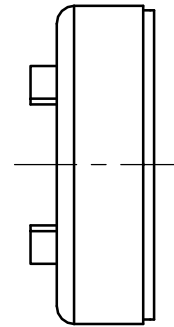


SECTION A-A



SECTION A-A



△							
△							
△							
△							
△							
MARK							
DRAWN	CHECKED	APPROVED	MATERIAL : P.B.T	UL REC. : UL94V-0	THIRD ANGLE PROJ.	SCALE : 1/1	
Dea Seo, Kim	Hyung Seok, Lee	Chul, Park		DATE : 2007.11.30	TOLERANCE : ±0.2 (Unless otherwise specified)	UNIT : m/m	
주식회사 대흥보빈 DAE HEUNG BOBBIN CO., LTD			TITLE OR 251315 CAP (C)		DWG NO DH-071130-6068-05		