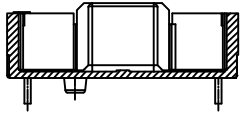
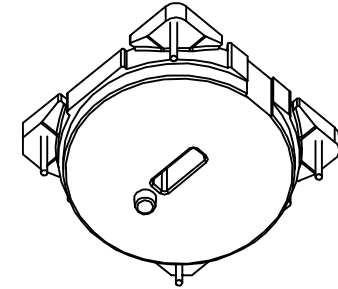
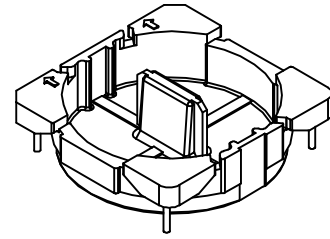
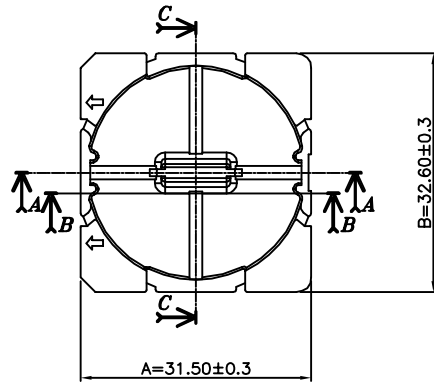
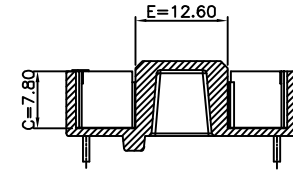
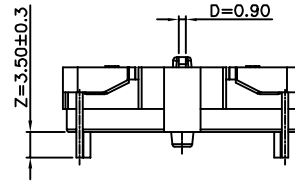
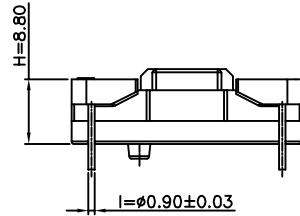


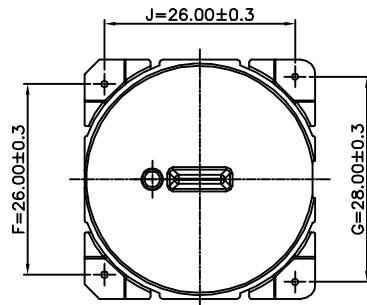
SECTION C-C



SECTION B-B



SECTION A-A



▲							
▲							
▲							
▲							
MARK	REVISION NOTE			DATE	DRAWN	CHECKED	APPROVED
	DRAWN	CHECKED	APPROVED	MATERIAL : PHENOL	UL REC. : UL94V-0	THIRD ANGLE PROJ.	SCALE : 1/1
	KM, Seo	SH, Kim	C, Park	Z : PIN LENGTH (According to customer's request)	DATE : 2013.12.26	TOLERANCE :±0.2 (Unless otherwise specified)	UNIT : m/m
주식회사 대흥보빈 DAE HEUNG BOBBIN CO., LTD				TITLE		DWG NO	
				OR 25*04 KEY BASE (4P) (C)		DH-140117-6208-03	