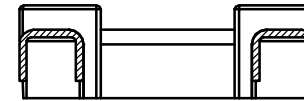
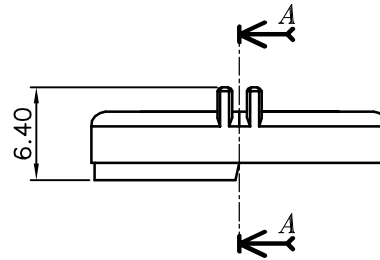
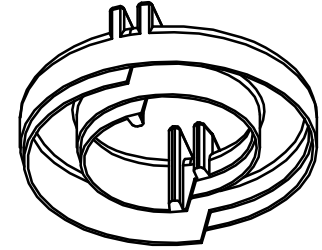
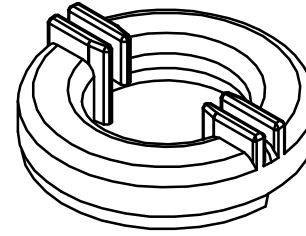
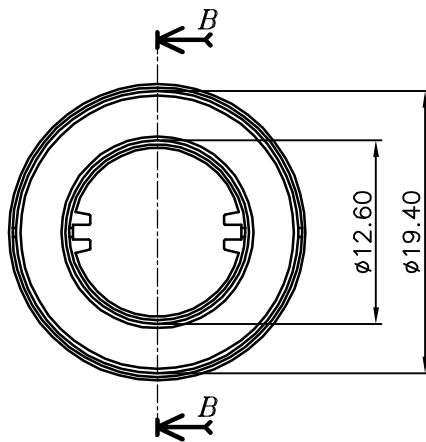


SECTION B-B



SECTION A-A



▲								
▲								
▲								
▲								
MARK	REVISION NOTE				DATE	DRAWN	CHECKED	APPROVED
DRAWN	CHECKED	APPROVED	MATERIAL : PPS	UL REC. : UL94V-0	THIRD ANGLE PROJ.	SCALE : 1/1		
B M, Won	D B, Han	J B, Lim	Z : PIN LENGTH (According to customer's request)	DATE : 2011.12.27	TOLERANCE : ±0.2 (Unless otherwise specified)	UNIT : m/m		
주식회사 대흥보빈 DAE HEUNG BOBBIN CO., LTD			TITLE OR 1906 CAP		DWG NO DH-120127-8634-00			