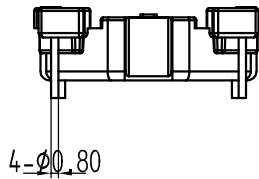
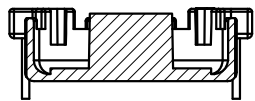
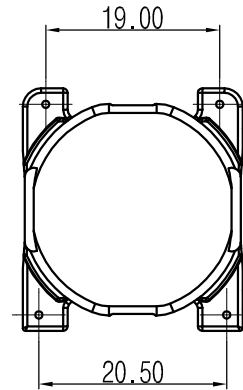
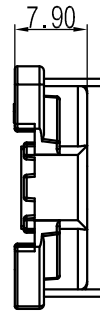
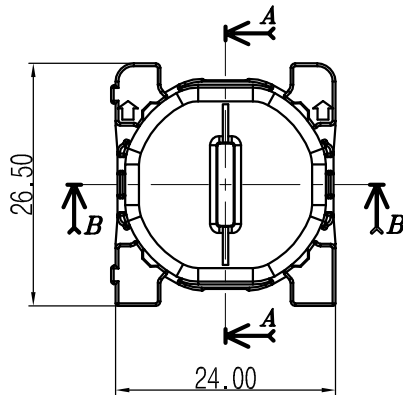
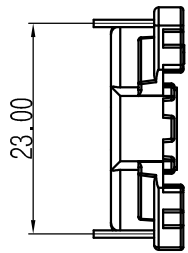
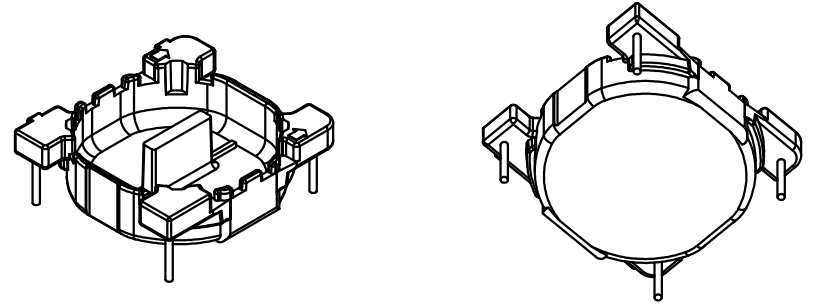


SECTION B-B



SECTION A-A

▲							
▲							
▲							
▲							
MARK	REVISION NOTE			DATE	DRAWN	CHECKED	APPROVED
DRAWN	CHECKED	APPROVED	MATERIAL : PHENOL	UL REC. : UL94V-0	THIRD ANGLE PROJ.	SCALE : 1/1	
B M, Won	D R, Han	Chul, Park	Z : PIN LENGTH (According to customer's request)	DATE : 2011.05.11	TOLERANCE : ±0.2 (Unless otherwise specified)	UNIT : m/m	
주식회사 대흥보빈 DAE HEUNG BOBBIN CO., LTD			TITLE OR 19φ KEY BASE 4P (B)		DWG NO DH-120521-6022-05		