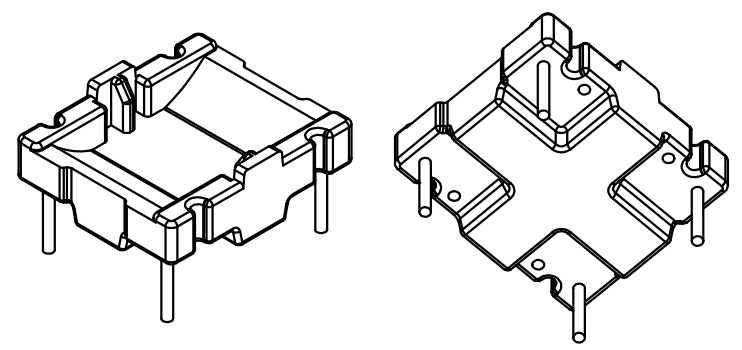
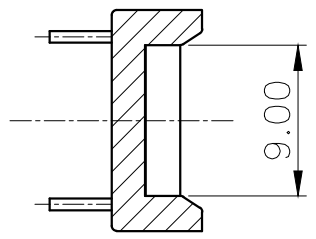
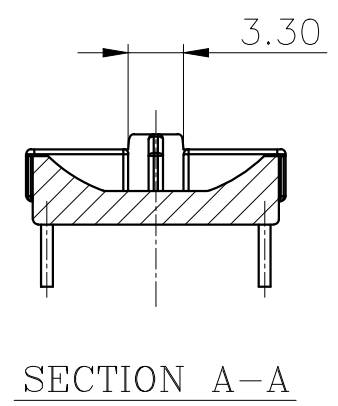
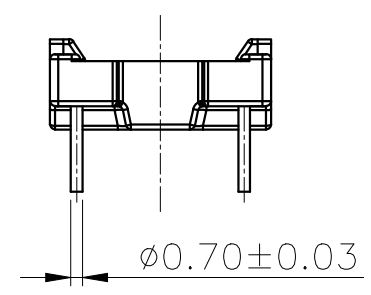
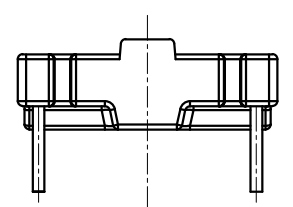


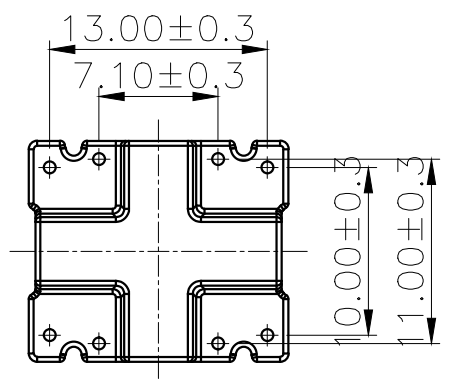
GATE



SECTION B-B



SECTION A-A



▲								
▲								
▲								
MARK	REVISION NOTE			DATE	DRAWN	CHECKED	APPROVED	
DRAWN	CHECKED	APPROVED	MATERIAL : PHENOL	UL REC. : UL94V-0	THIRD ANGLE PROJ.	SCALE : 1/1		
K M , SEO	S H , KIM	C , Park	Z : PIN LENGTH (According to customer's request)	DATE : 2012.11.20	TOLERANCE : ±0.2 (Unless otherwise specified)	UNIT : m/m		
주식회사 대흥보빈 DAE HEUNG BOBBIN CO., LTD			TITLE OR 16φ BASE (4P) (F)		DWG NO DH-121211-6038-11			