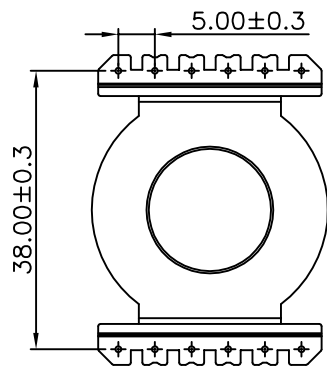


SECTION A-A

SECTION B-B



△								
△								
△								
△								
MARK	REVISION NOTE			DATE	DRAWN	CHECKED	APPROVED	
DRAWN	CHECKED	APPROVED	MATERIAL : PHENOL	UL REC. : UL94V-0	THIRD ANGLE PROJ.	SCALE : 1/1		
MS, Kim	KM, Seo	C, Park	Z : PIN LENGTH (According to customer's request)	DATE : 2016.03.15	TOLERANCE : ±0.2 (Unless otherwise specified)	UNIT : m/m		
주식회사 대흥보빈 DAE HEUNG BOBBIN CO., LTD			TITLE DS 40*28 "V" (12P)		DWG NO DH-160610-6039-04			