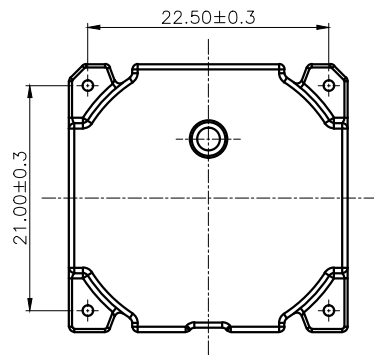


SECTION A-A

SECTION B-B



△							
△							
△							
△							
MARK	REVISION NOTE			DATE	DRAWN	CHECKED	APPROVED
DRAWN	CHECKED	APPROVED	MATERIAL : PHENOL	UL REC. : UL94V-0	THIRD ANGLE PROJ.	SCALE : 1/1	
B M, Won	D B, Han	J B, Lim	Z : PIN LENGTH (According to customer's request)	DATE : 2012.01.06	TOLERANCE : ±0.2 (Unless otherwise specified)	UNIT : m/m	
주식회사 대흥보빈 DAE HEUNG BOBBIN CO., LTD.			TITLE OR 19*06 KEY BASE (4P)		DWG NO DH-120106-8634-01		