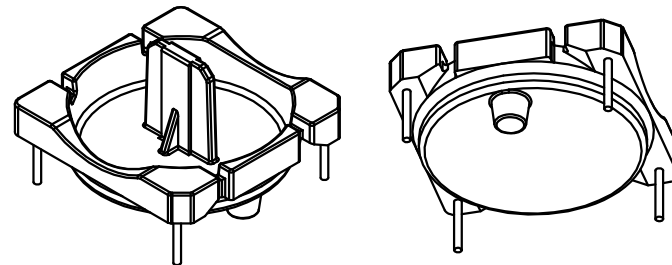
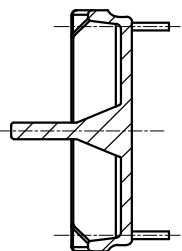


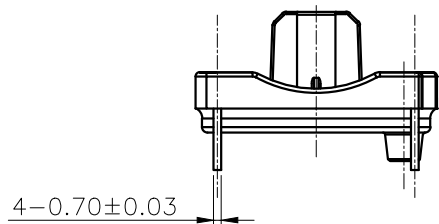
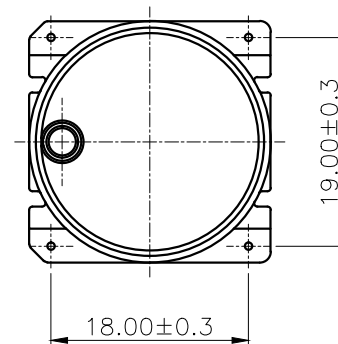
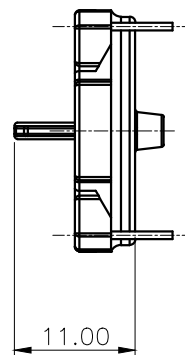
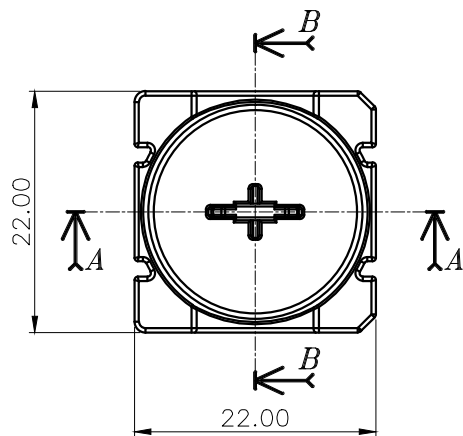
SECTION A-A



Isometric veiw



SECTION B-B



▲							
▲							
▲							
MARK	REVISION NOTE			DATE	DRAWN	CHECKED	APPROVED
DRAWN	CHECKED	APPROVED	MATERIAL : PHENOL	UL REC. : UL94V-0	THIRD ANGLE PROJ.	SCALE : 1/1	
BM, WON	D B, Han	J B, Lim	Z : PIN LENGTH (According to customer's request)	DATE : 12.01.09	TOLERANCE : ±0.2 (Unless otherwise specified)	UNIT : m/m	
주식회사 대흥보빈 DAE HEUNG BOBBIN CO., LTD			TITLE OR 16*04 KEY BASE (4P)		DWG NO DH-120206-8633-01		