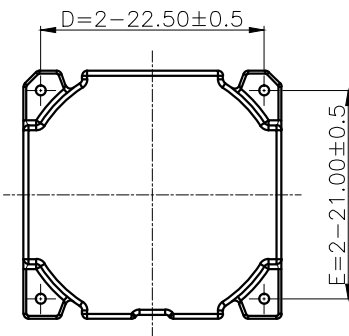


SECTION A-A

SECTION B-B



△							
△							
△							
△							
MARK	REVISION NOTE			DATE	DRAWN	CHECKED	APPROVED
DRAWN	CHECKED	APPROVED	MATERIAL : PHENOL	UL REC. : UL94V-0	THIRD ANGLE PROJ.	SCALE : 1/1	
S H, Kim	G Y, Lim	C, Park		DATE : 2011.06.13	TOLERANCE : ±0.2 (Unless otherwise specified)	UNIT : m/m	
주식회사 대흥보빈 DAE HEUNG BOBBIN CO., LTD.			TITLE OR 19∅ KEY BASE (4P) (A)		DWG NO DH-110629-8622-00		