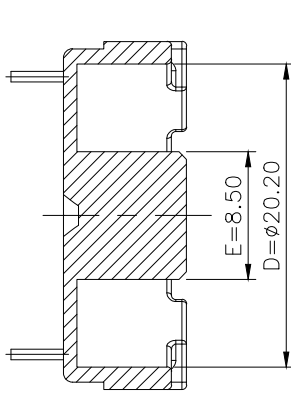
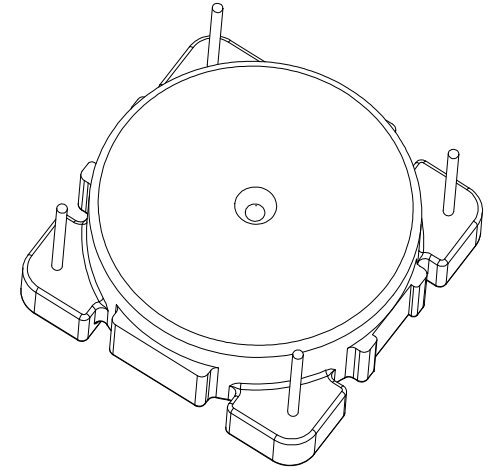
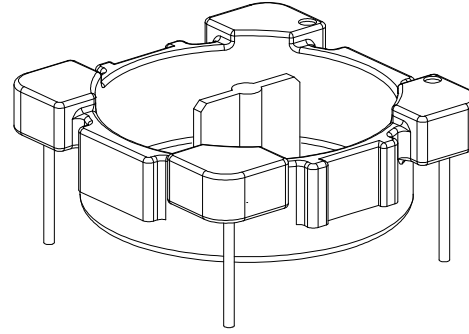
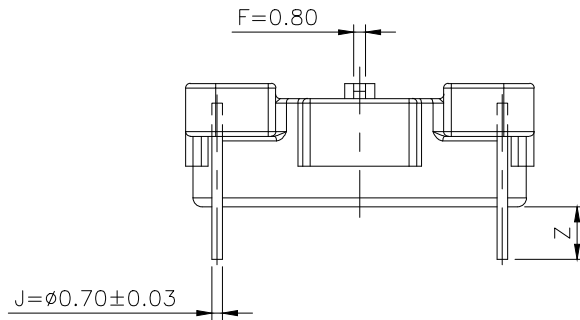
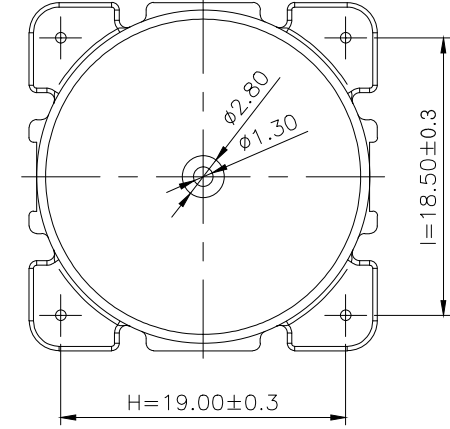
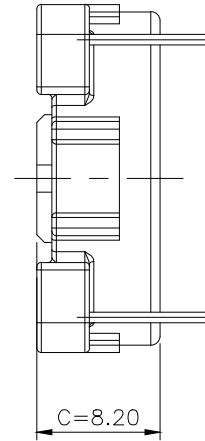
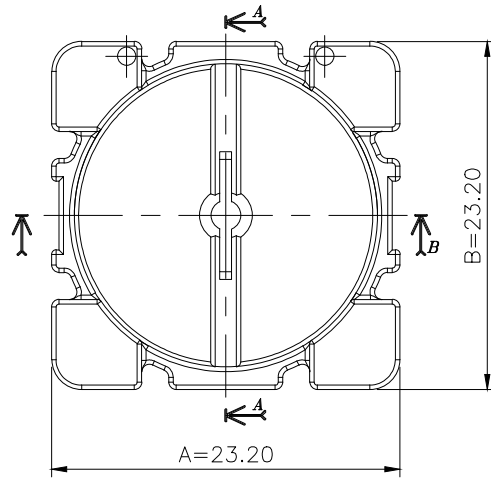


SECTION B-B



SECTION A-A



△							
△							
△							
△							
MARK	REVISION NOTE			DATE	DRAWN	CHECKED	APPROVED
DRAWN	CHECKED	APPROVED	MATERIAL : PHENOL	UL REC. : UL94V-0	THIRD ANGLE PROJ.	SCALE : 1/1	
DS, Kim	Hyoung Seok, Lee	Chul, Park	Z : PIN LENGTH (According to customer's request)	DATE : 2010.07.15	TOLERANCE ±0.2 (Unless otherwise specified)	UNIT : m/m	
주식회사 대흥보빈 DAE HEUNG BOBBIN CO., LTD.			TITLE OR 16φ KEY BASE (4P) (S)		DWG NO DH-100827-8606-00		