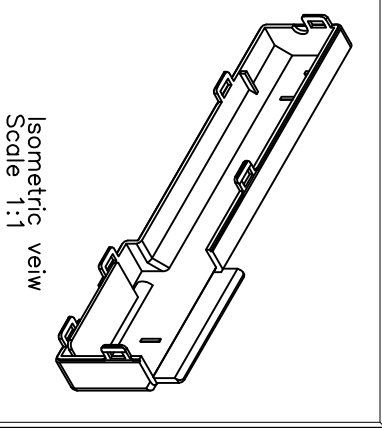


Font: User specification  
*Fullite*  
 Scale (2/1)



MARK	REVISION NOTE	DATE	DRAWN	CHECKED	APPROVED
△					
△					
△					
△					
△					

DRAWN	CHECKED	APPROVED	MATERIAL : ABS	UL REC. : UL94V-0	THIRD ANGLE PROJ.	SCALE : 1/1
Dea Sng, Kim	Byoung Seok Lee	Chul Park		DATE : 2008.02.21	TOLERANCE : ±0.2 (unless otherwise specified)	UNIT : mm/m
주식회사 대흥보빈 DAE HEUNG BOBBIN CO., LTD.			TITLE CASE-BOTTOM T5-B		DWG NO DH-080221-8501-01	