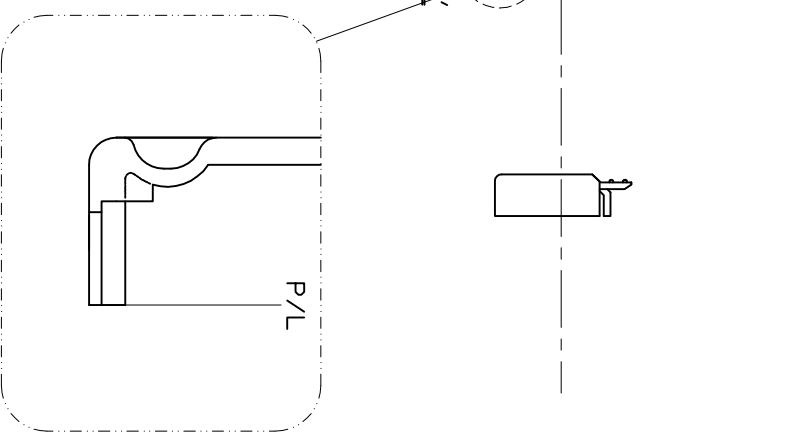
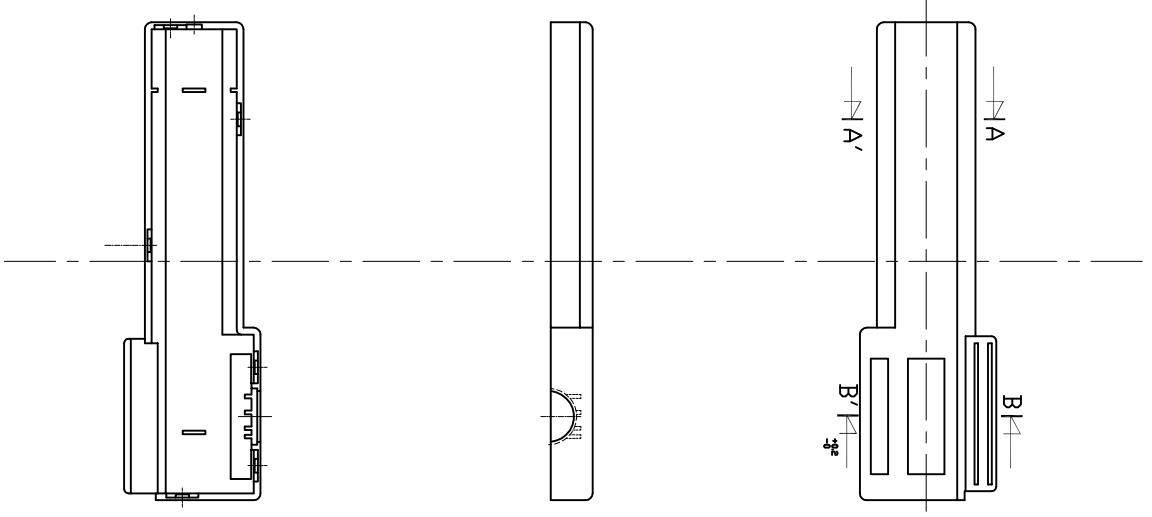
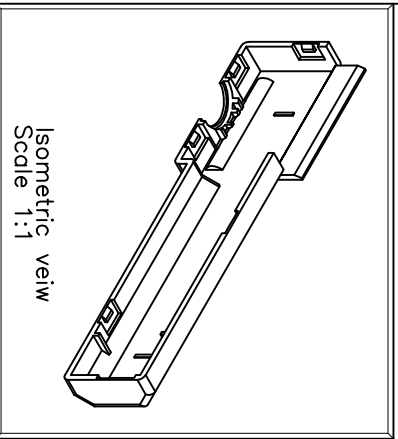


Scale (4/1)



Scale (4/1)

Font: User specification
Fullite



Isometric view
 Scale 1:1

△									
△									
△									
△									
MARK	REVISION NOTE			DATE	DRAWN	CHECKED	APPROVED		
DRAWN	CHECKED	APPROVED	MATERIAL : ABS	UL REC. : US94V-0	THIRD ANGLE PROJ.	SCALE : 1/1			
Des. No., Item	Drawing Scale, Size	Chg. Part	DATE : 2008.02.21	TOLERANCE ±0.2 (unless otherwise specified)	UNIT : mm				
주식회사 대흥보빈 DAE HEUNG BOBBIN CO., LTD.			TITLE	CASE-TOP T5-B	DWG NO	DH-080221-8501-00			