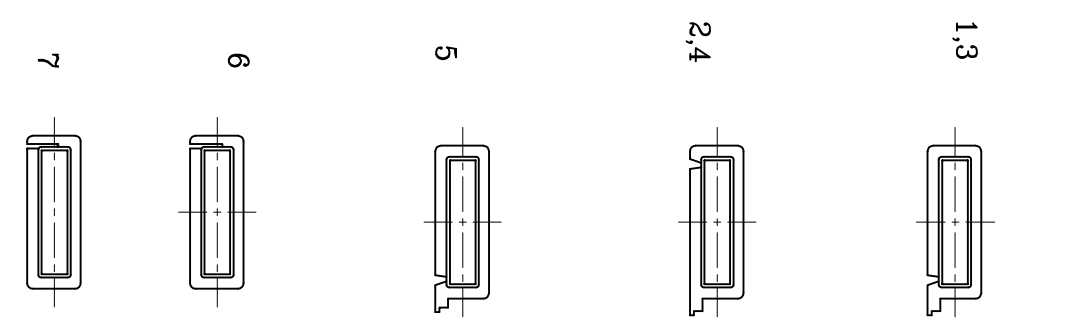
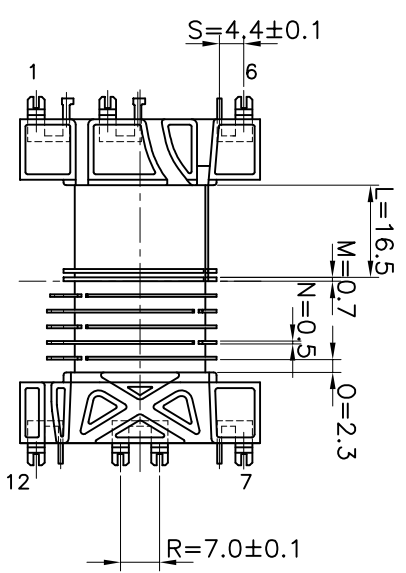
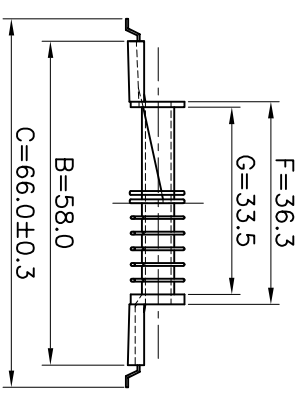
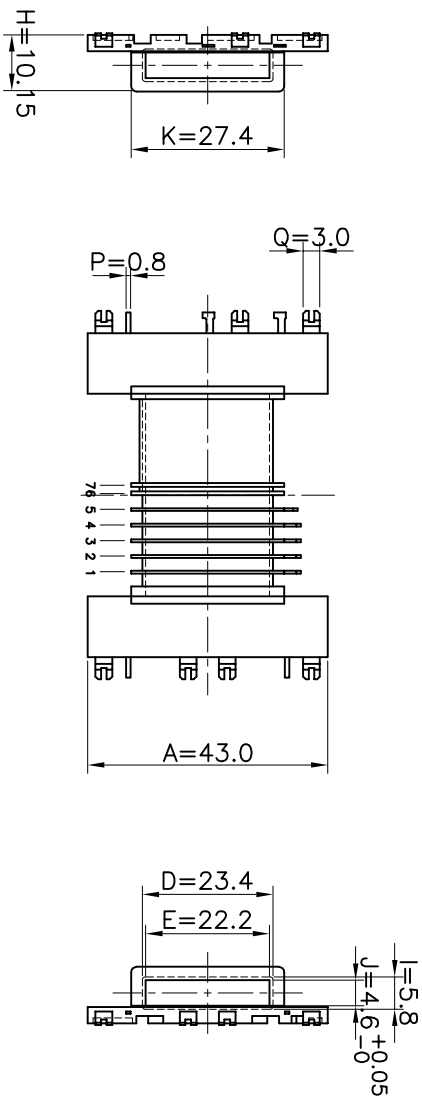


\* Sample Mold



△					
△					
△					
△					
MARK	REVISION NOTE		DATE	DRAWN	CHECKED / APPROVED
DRAWN	CHECKED	APPROVED	MATERIAL : LCP 4008	UL REC. : U194V-0	THIRD ANGLE PROJ. SCALE : 1/1
Jho Soon, Moon Kwang Hyun, Kim Byoung Seok, Kim			DATE : 2005.08.19		TOLERANCE : ±0.2 (Unless otherwise specified)
주식회사 대웅보빈 DAE HEUNG BOBBIN CO., LTD.		TITLE ERD 43*54 (12P) H (8F)(SMD TYPE)		DWG NO DH-050819-7043-00	