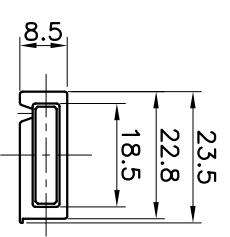
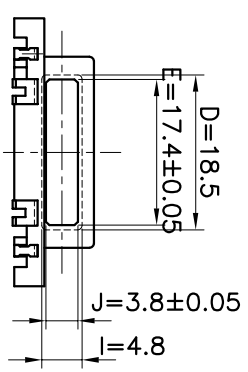
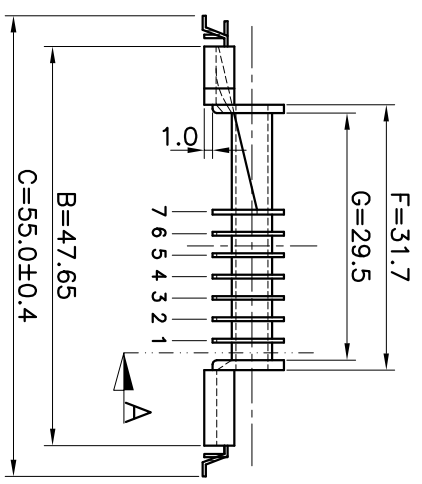
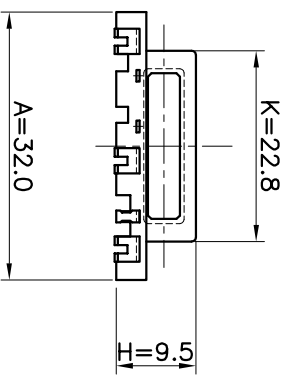
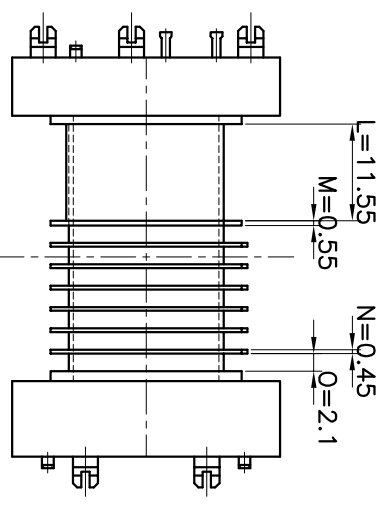
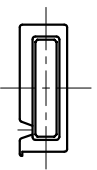


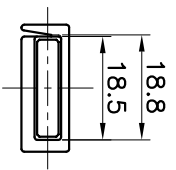
SECTION A



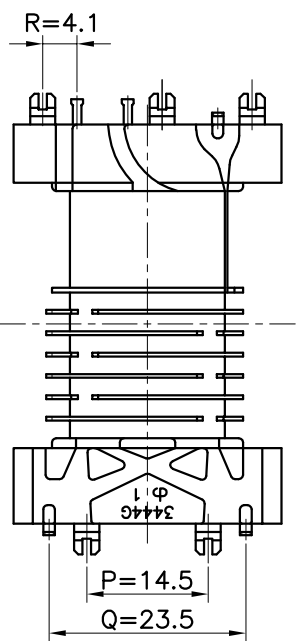
<1, 3, 5>



<2, 4, 6>



<7>



△								
△								
△								
△								
MARK	REVISION NOTE			DATE	DRAWN	CHECKED	APPROVED	
DRAWN	CHECKED	APPROVED	MATERIAL : LCP	UL REC. : UL94V-0	THIRD ANGLE PROJ.	SCALE 1.5/1		
Jyo Soou, Yong Kwang Jyo, Ilm Jinyong Soak, Ilm			Z : PIN LENGTH (According to customer's request)	DATE : 2005.11.05	TOLERANCE : ±0.1 (Unless otherwise specified)	UNIT : mm		
주식회사 대웅보빈 DAE HEUNG BOBBIN CO., LTD.			TYPE EFD 34*44 (10P) "H" B/B	DWG NO DH-051105-7034-00				