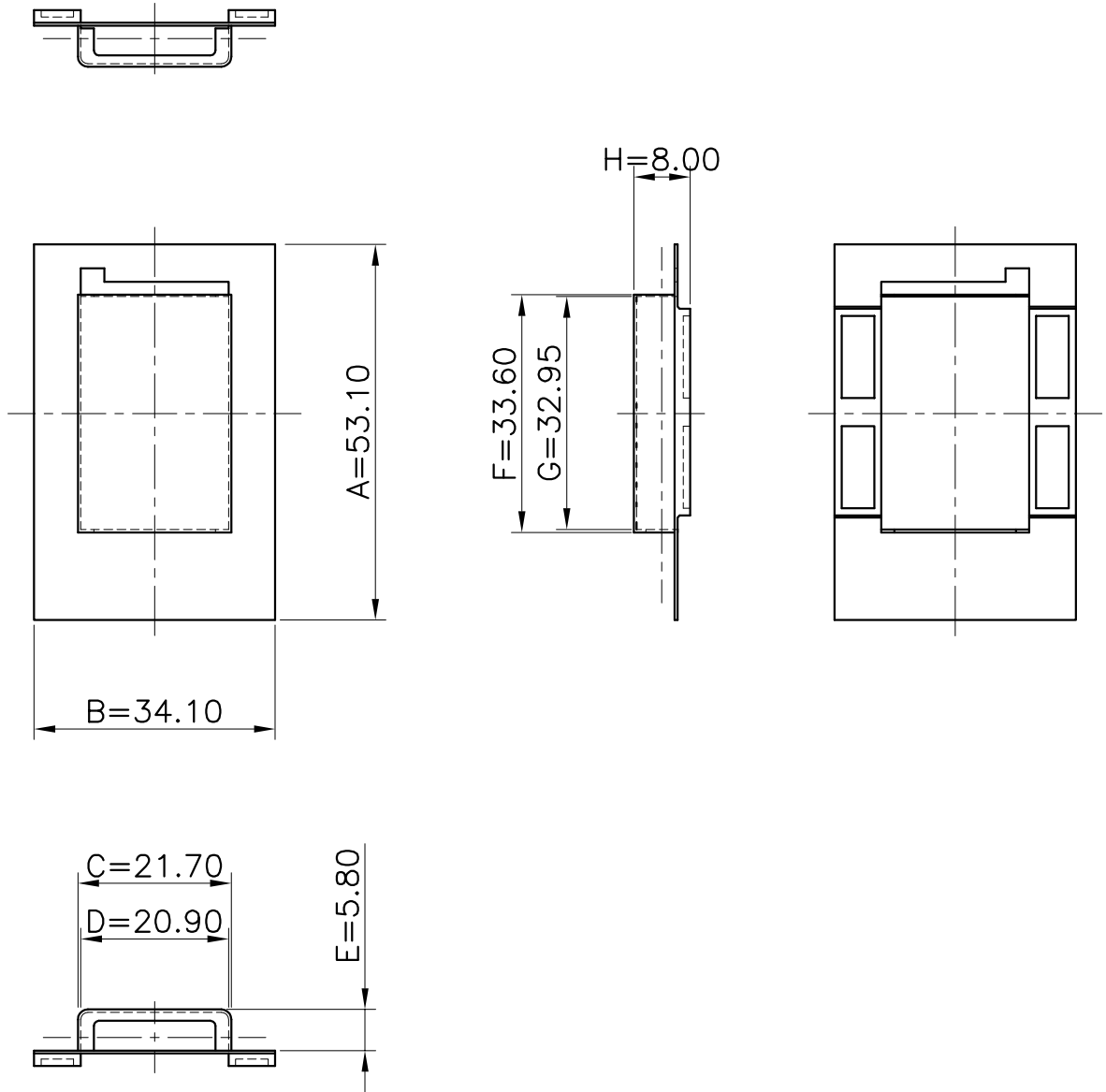


* SAMPLE MOLD



④							
③							
②							
①							
MARK	REVISION NOTE			DATE	DRAWN	CHECKED	APPROVED
DRAWN	CHECKED	APPROVED	MATERIAL : LCP	UL REC. : UL94V-0	THIRD ANGLE PROJ.	SCALE : 1/1	
Hyo Soon, Moon	Hyoung Seok, Lee	Hyoung Seok, Kim	Z : PIN LENGTH (According to customer's request)	DATE : 2006.06.14	TOLERANCE : ±0.1 (Unless otherwise specified)	UNIT : m/m	
주식회사 대흥보빈 DAE HEUNG BOBBIN CO., LTD			TITLE EPD 32*44 CAP		DWG NO DH-060614-7032-02		

양식-도면-01(0)

(주)대흥보빈