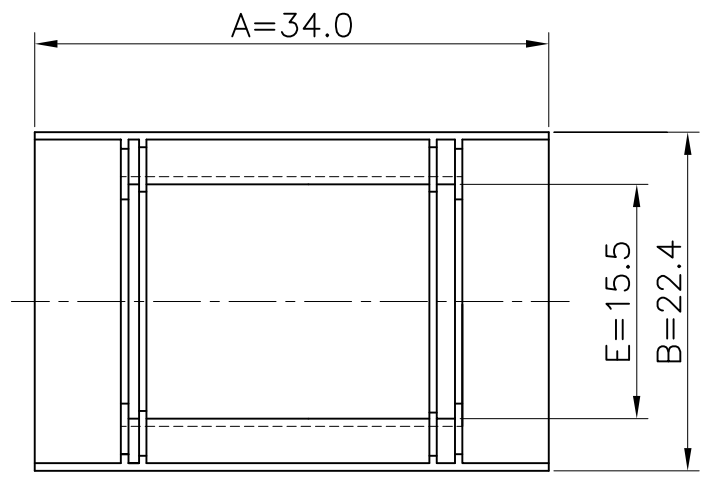
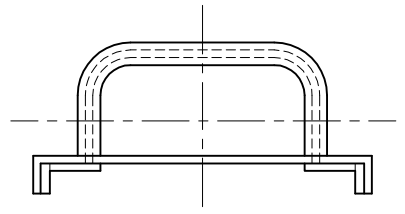
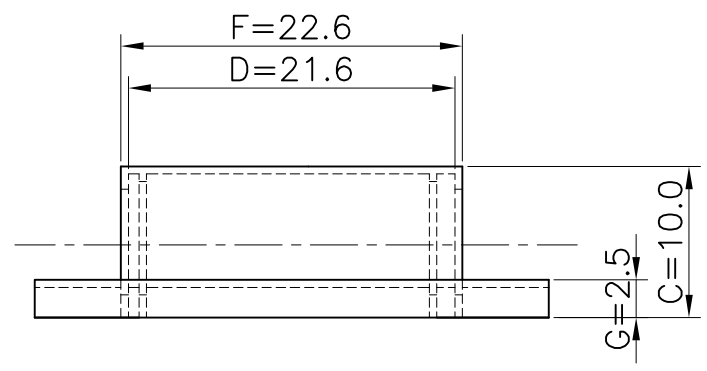
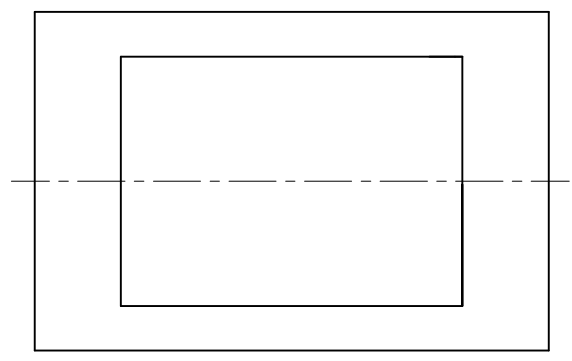


*SAMPLE 금형



④					
③					
②					
①					

MARK			REVISION NOTE		DATE	DRAWN	CHECKED	APPROVED
DRAWN	CHECKED	APPROVED	MATERIAL : L.C.P	UL REC. : UL94V-0	THIRD ANGLE PROJ.	SCALE : 2/1		
Hyo Soon, Moon	Chul, Park	Kwan Hee, Lee		DATE : 2004.04.09	TOLERANCE : ±0.2 (Unless otherwise specified)	UNIT : m/m		
주식회사 대흥보빈 DAE HEUNG BOBBIN CO., LTD			TITLE EFD 22*29 CAP		DWG NO DH-040409-7016-01			