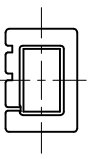
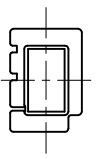


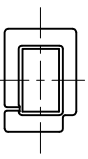
SEC E-E



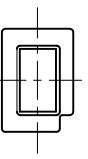
SEC A(7)



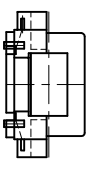
SEC B(5,6)



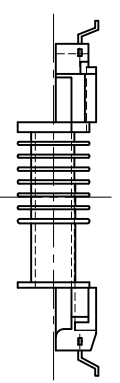
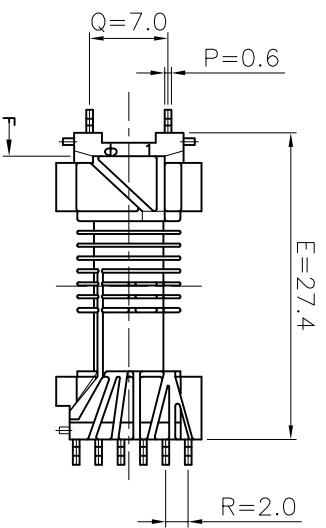
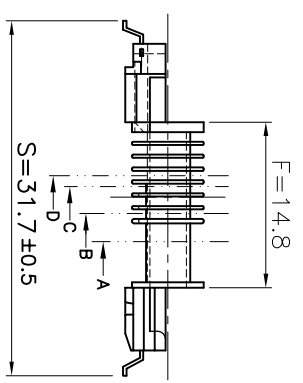
SEC C(4)



SEC D(1,2,3)



SEC F



△									
△									
△									
△									
△									
MARK		REVISION	NOTE	DATE	DRAWN	CHECKED	APPROVED		
DRAWN	CHECKED	APPROVED	MATERIAL : L.C.P	UL REC. : U194V-0	THIRD ANGLE PROJ.	SCALE : 2/1			
Ipo Soon, Moon	Chul Park	Kwan Hee, Lee		DATE : 2003.09.08		TOLERANCE : ±0.1 (unless otherwise specified)	UNIT : mm		
주식회사 대웅보빈 DAE HEUNG BOBBIN CO., LTD			TITLE	UT 13 BOBBIN (A) (SMD TYPE)		DWG NO	DH-030908-7014-00		