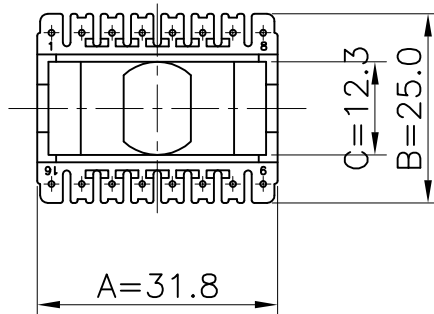
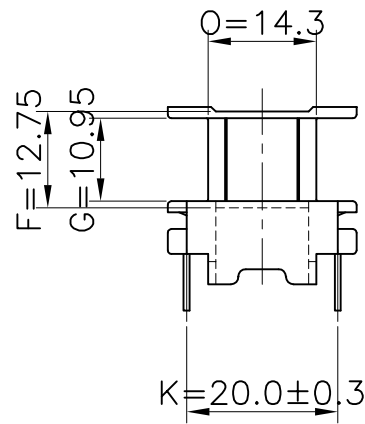
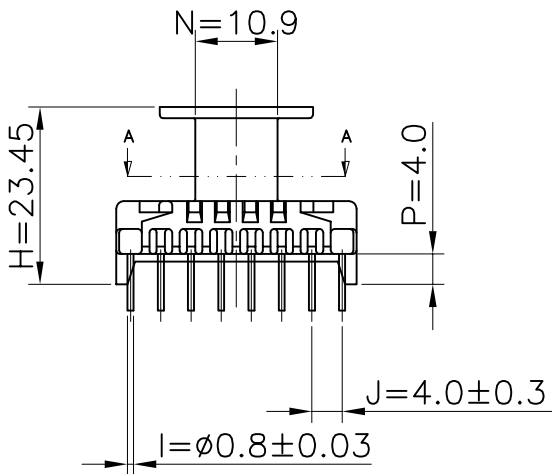


SECTION A-A



④							
③							
②							
①							
MARK	REVISION NOTE			DATE	DRAWN	CHECKED	APPROVED
DRAWN	CHECKED	APPROVED	MATERIAL : PHENOL	UL REC. : UL94V-0	THIRD ANGLE PROJ.	SCALE : 1/1	
Hyo Soon, Moon	Hyoung Seok, Kim	Sang Gu, Jeon	Z : PIN LENGTH (According to customer's request)	DATE : 2005.06.18	TOLERANCE : $\pm 0.2$ (Unless otherwise specified)	UNIT : m/m	
주식회사 대흥보빈 DAE HEUNG BOBBIN CO., LTD			TITLE EED 28*20 (16P) V		DWG NO DH-050618-7005-02		