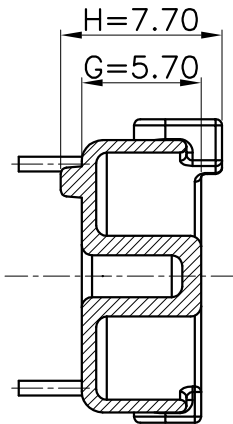
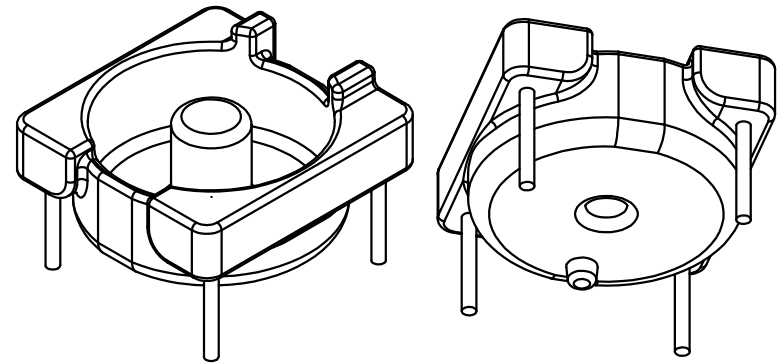
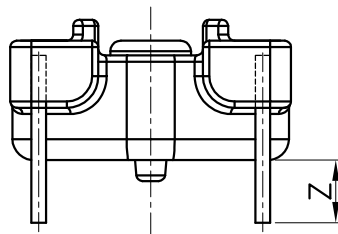
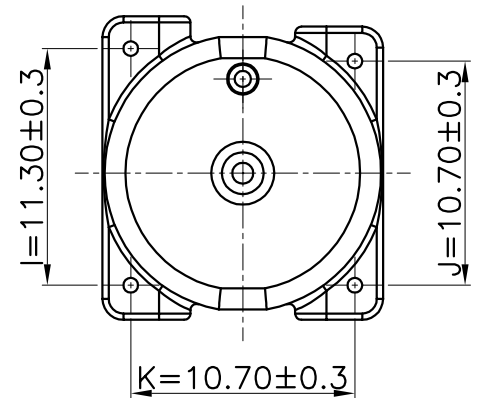
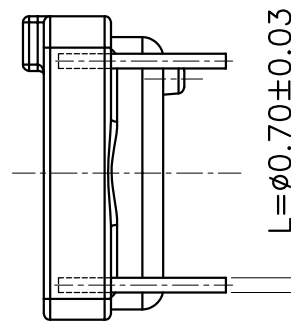
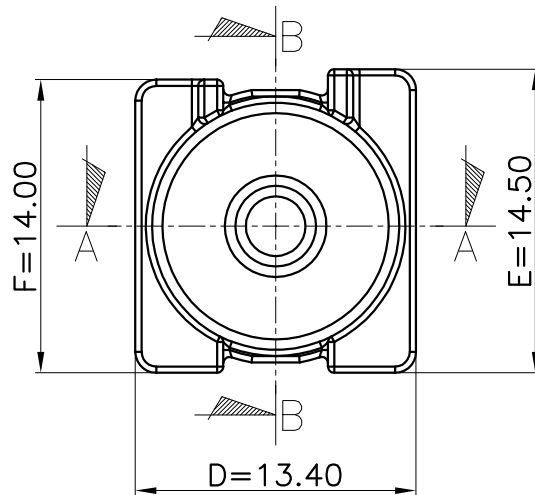


SECTION A-A



SECTION B-B



△							
△							
△							
△							
MARK	REVISION NOTE			DATE	DRAWN	CHECKED	APPROVED
	DRAWN	CHECKED	APPROVED	MATERIAL: PHENOL(PM-9820)	UL REC. : UL94V-0	THIRD ANGLE PROJ.	SCALE : 1/2
	DS, Kim	KY, Lim	JB, Lim		DATE : 2010.10.15	TOLERANCE : ±0.2 (Unless otherwise specified)	UNIT : m/m
	주식회사 대흥보빈 DAE HEUNG BOBBIN CO., LTD			TITLE OR 10ø KEY BASE (4P)		DWG NO DH-101125-7004-01	