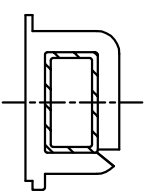
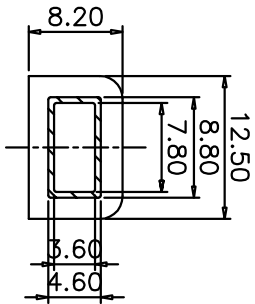


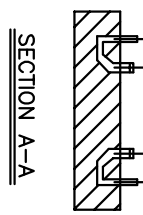
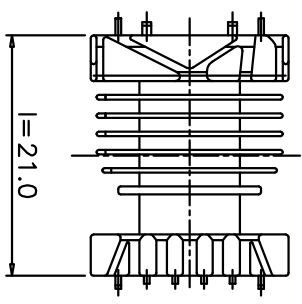
SECTION B-B
(00000)



SECTION C-C
(00)



SECTION D-D



SECTION A-A

지시값은 R=0.2

△									
△									
△									
△									
△									
MARK	REVISION NOTE			DATE	DRAWN	CHECKED	APPROVED		
DRAWN	CHECKED	APPROVED	MATERIAL : LCP (E4008)						
이예, Hong	신태, Kim	동국, Lee	UL REC. : U194V-0	DATE : 2003.02.05	THIRD ANGLE PROJ.	SCALE : 2/1			
주식회사 대흥보빈 DAE HEUNG BOBBIN CO., LTD.			TITLE EFD 18*20 (10P) "H" (7F) (SBEE 18-2) (DIP TYPE)		DWG NO DH-030205-7000-03				
			TOLERANCE : ±0.1 (Unless otherwise specified)		UNIT : mm/m				