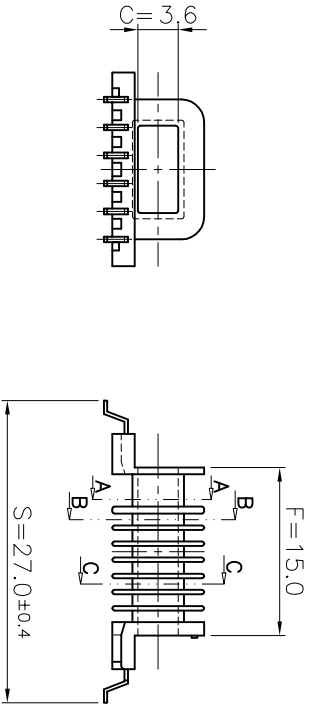
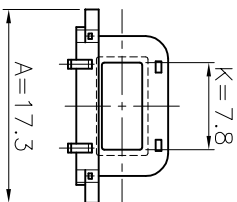


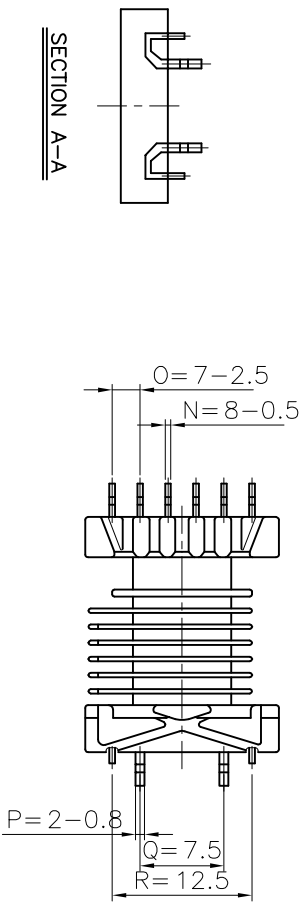
SECTION A-A (7)



SECTION B-B (6)



SECTION C-C (1,2,3,4,5)



SECTION A-A

△									
△									
△									
△									
MARK		REVISION NOTE	DATE	DRAWN	CHECKED	APPROVED			
DRAWN	CHECKED	APPROVED	MATERIAL : L.C.P	UL REC. : U194V-0	THIRD ANGLE PROJ.	SCALE : 2/1			
Iyo Soon, Moon		Dong Han, Lee	DATE : 2003.11.26			TOLERANCE : ±0.2 (unless otherwise specified)	UNIT : mm		
주식회사 대웅보빈 DAE HEUNG BOBBIN CO., LTD			TITLE	DWG NO					
			EFPD 18*20 8F (10P) (권곡형)	DH-031126-7000-02					