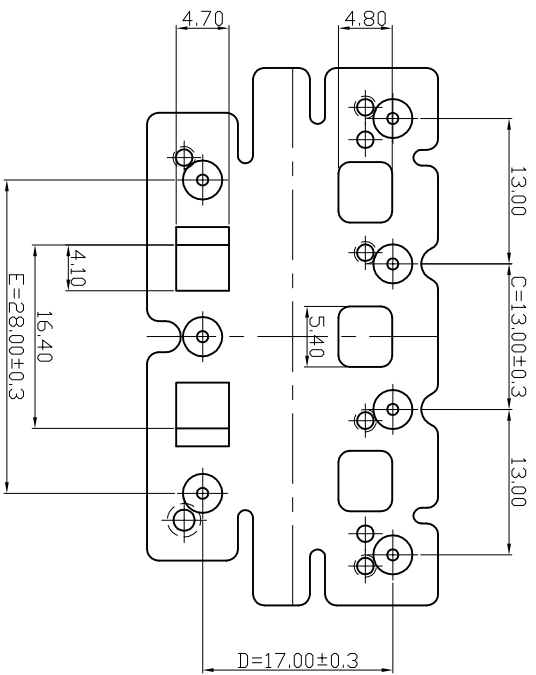
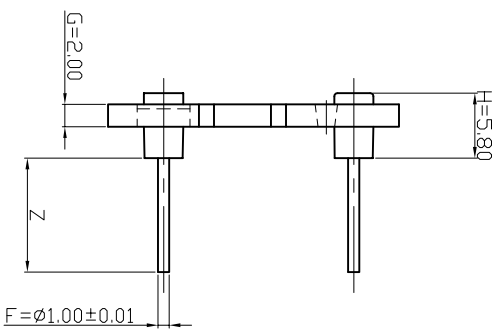
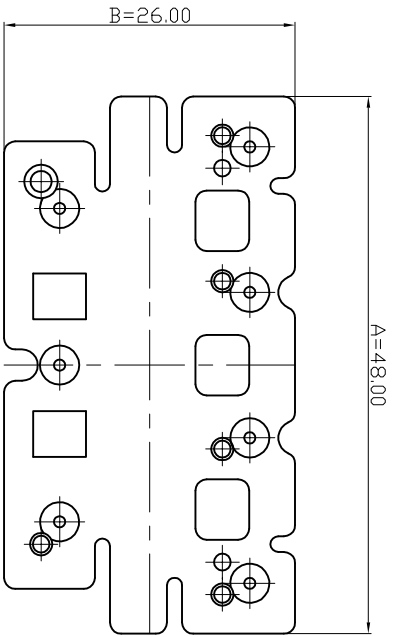


* Sample Mold



<LG용>

MARK	REVISION NOTE	DATE	DRAWN	CHECKED	APPROVED
△					
△					
△					
△					
△					

DRAWN	CHECKED	APPROVED	MATERIAL : PBT (NA)	UL REC. : U194V-0	THIRD ANGLE PROJ.	SCALE : 1/1
이은석, Moon Hong In, Kim	이은석, Moon Hong In, Kim	이은석, Moon Hong In, Kim				
TITLE			Z : PIN LENGTH		TOLERANCE : ±0.2	
TERMINAL PLATE (7P) (A)			(According to customer's request)		(Unless otherwise specified)	
DATE : 2005.12.23			DATE : 2005.12.23		UNIT : mm	
DWG NO			DH-051223-6089-11			

주식회사 대웅보빈
DAE HEUNG BOBBIN CO., LTD