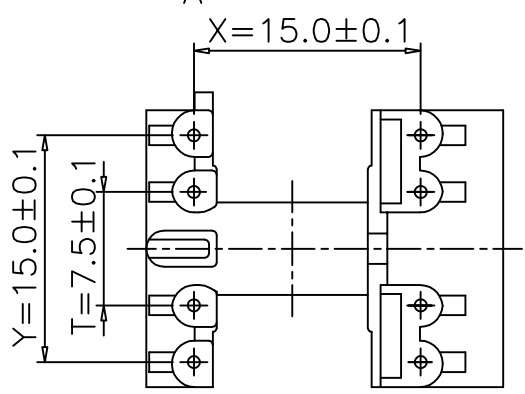
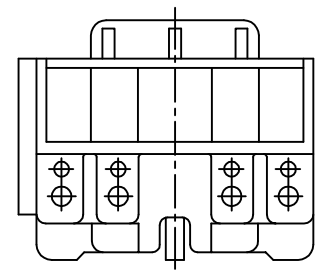
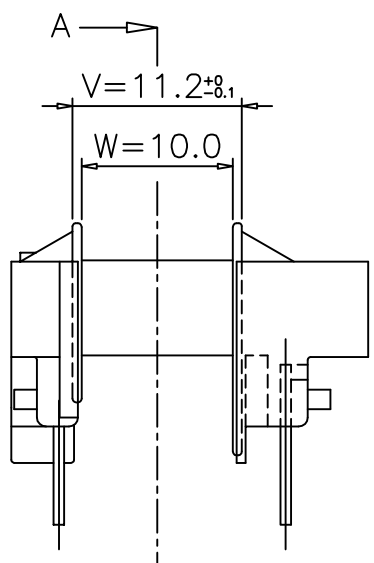
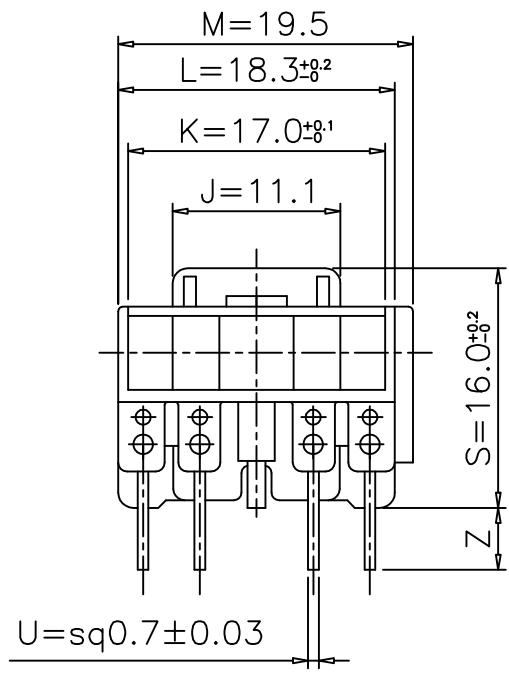
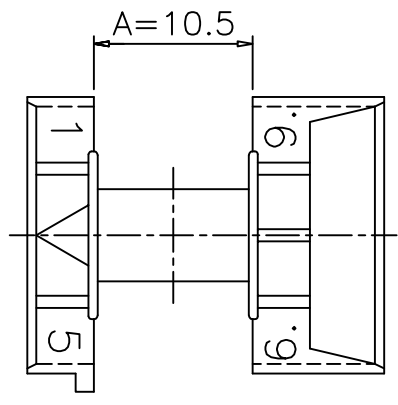


SECTION A-A



④					
③					
②					
①					

MARK	REVISION NOTE	DATE	DRAWN	CHECKED	APPROVED
------	---------------	------	-------	---------	----------

DRAWN	CHECKED	APPROVED	MATERIAL : P.B.T	UL REC. : UL94V-0	THIRD ANGLE PROJ.	SCALE : 2/1
Moon Jung, Jang	Hun Hee, Son	Dong Kon, Lee	Z : PIN LENGTH (According to customer's request)	DATE : 1999,02,11	TOLERANCE : ±0.15 (Unless otherwise specified)	UNIT : m/m
주식회사 대흥보빈 DAE HEUNG BOBBIN CO., LTD			TITLE EF 16 (8P) (A)		DWG NO DH-990211-6084-00	