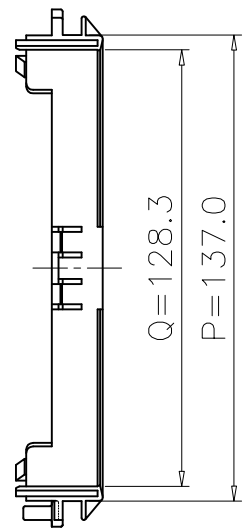
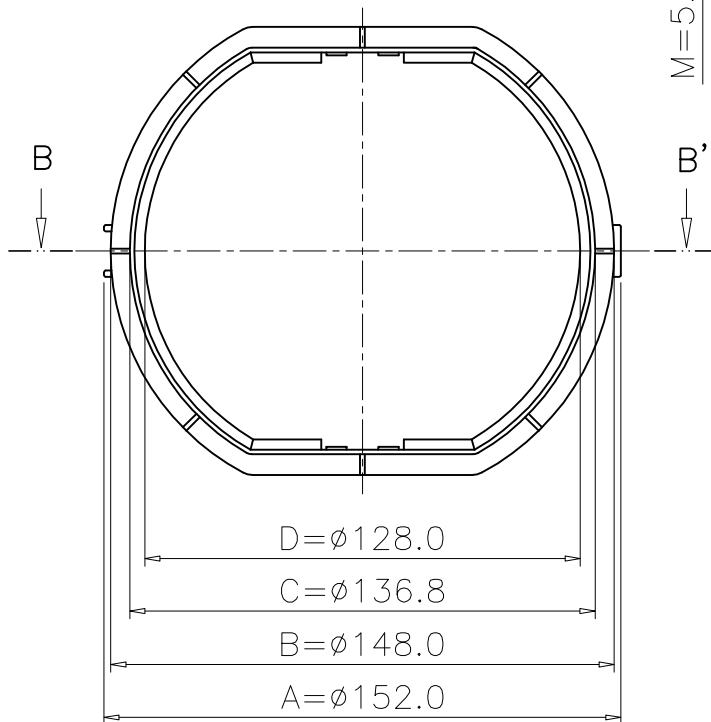
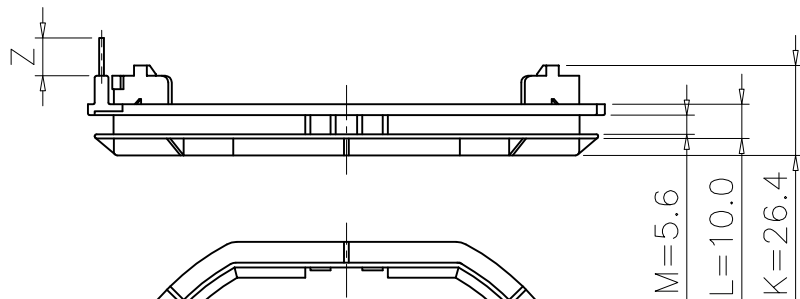


SECTION A-A'



SECTION B-B'

MARK		REVISION NOTE				DATE	DRAWN	CHECKED	APPROVED
DRAWN	CHECKED	APPROVED	MATERIAL : NORLY	UL REC. : UL94V-0	THIRD ANGLE PROJ.	SCALE : 1/2			
Moon Jung, Jang	Hun Hee, Son	Dong Kon, Lee	Z : PIN LENGTH (According to customer's request)	DATE : 1999,03,16	TOLERANCE : ±0.2 (Unless otherwise specified)	UNIT : m/m			
주식회사 대흥보빈 DAE HEUNG BOBBIN CO., LTD			TITLE ROTATION BOBBIN (2P)		DWG NO DH-990316-6081-00				