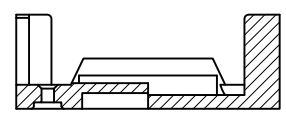
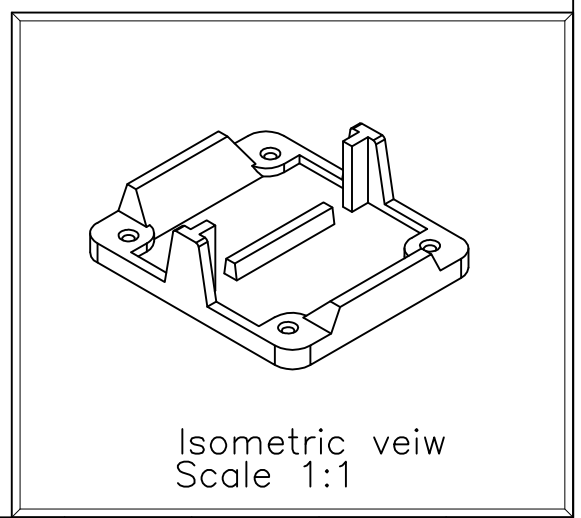
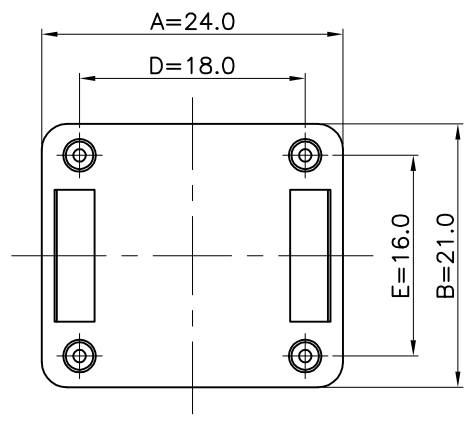
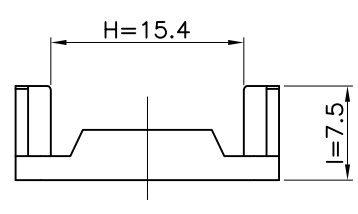
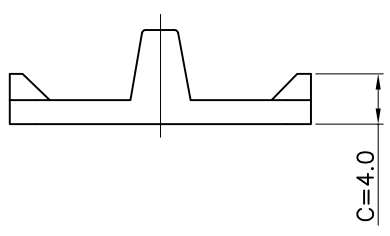


SECTION A-A



SECTION B-B



④					
③					
②					
①					

MARK			REVISION NOTE	DATE	DRAWN	CHECKED	APPROVED
DRAWN	CHECKED	APPROVED	MATERIAL : PBT	UL REC. : UL94V-0	THIRD ANGLE PROJ.	SCALE : 1/1	
Dae Soo, Kim	Hyoung Seok, Lee	Chul, Park		DATE : 2008.03.10	TOLERANCE : ±0.2 (Unless otherwise specified)	UNIT : m/m	
주식회사 대흥보빈 DAE HEUNG BOBBIN CO., LTD			TITLE	DWG NO			
			OR ø22 BASE (4H)	DH-080310-6069-06			