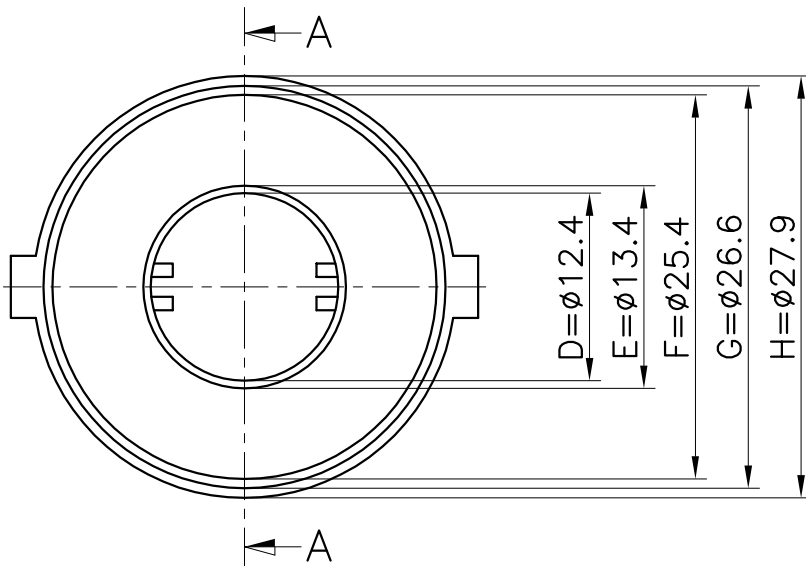


SECTION A-A



4							
3							
2							
1							
MARK	REVISION NOTE			DATE	DRAWN	CHECKED	APPROVED
	DRAWN	CHECKED	APPROVED	MATERIAL : P.B.T	UL REC. : UL94V-0	THIRD ANGLE PROJ.	SCALE : 2/1
	Hyo Soon, Moon	Chul, Park	Sung Keun, Lee	Z : PIN LENGTH (According to customer's request)	DATE : 2004.03.24	TOLERANCE : ±0.2 (Unless otherwise specified)	UNIT : m/m
	주식회사 대흥보빈 DAE HEUNG BOBBIN CO., LTD			TITLE OR 25*13*15 COVER		DWG NO DH-040324-6067-07	

양식-도면-01(0)

(주)대흥보빈