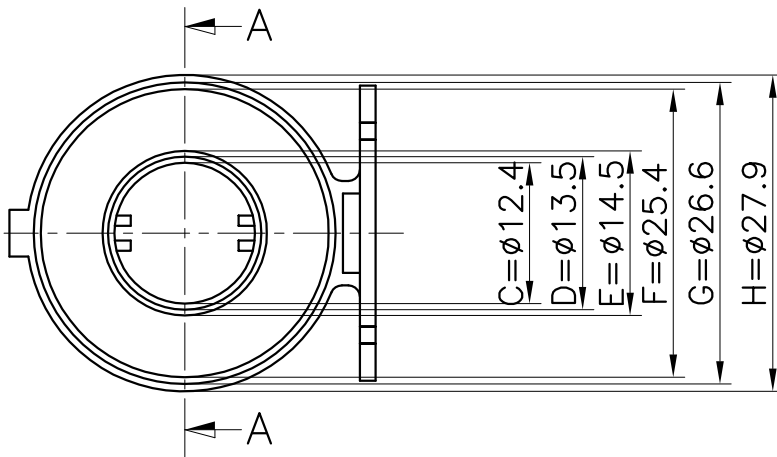
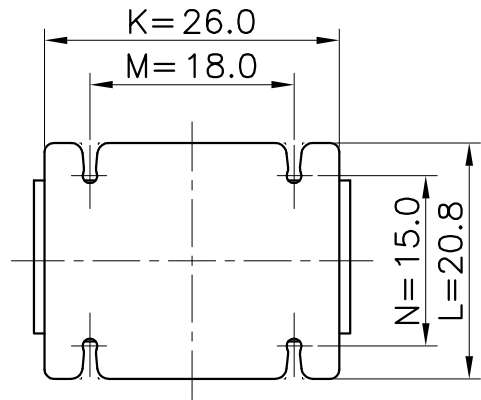
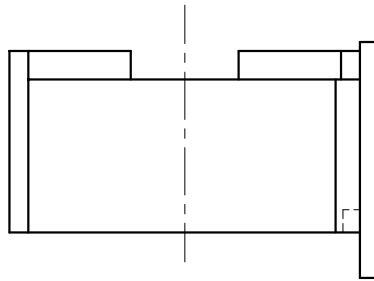


SECTION A-A



* 삼성 O.A용

4					
3					
2					
1					

MARK	REVISION NOTE	DATE	DRAWN	CHECKED	APPROVED
------	---------------	------	-------	---------	----------

DRAWN	CHECKED	APPROVED	MATERIAL : P.B.T	UL REC. : UL94V-0	THIRD ANGLE PROJ.	SCALE : 1.5/1
-------	---------	----------	------------------	-------------------	-------------------	---------------

Hyo Soon, Moon	Chul, Park	Sung Keun, Lee	Z : PIN LENGTH (According to customer's request)	DATE : 2004.03.24	TOLERANCE : ±0.2 (Unless otherwise specified)	UNIT : m/m
----------------	------------	----------------	---	-------------------	--	------------

주식회사 대흥보빈 DAE HEUNG BOBBIN CO., LTD			TITLE OR 25*13*15 CAP (B) (BASE TYPE)	DWG NO DH-040324-6067-06
--	--	--	--	-----------------------------

양식-도면-01(0)

(주)대흥보빈