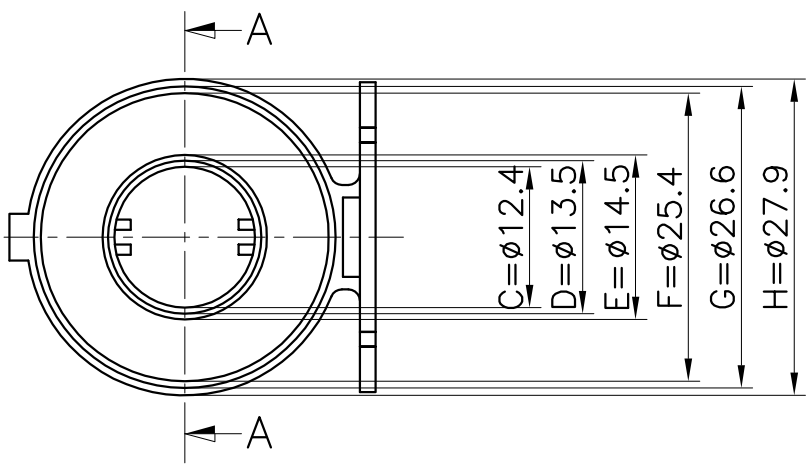
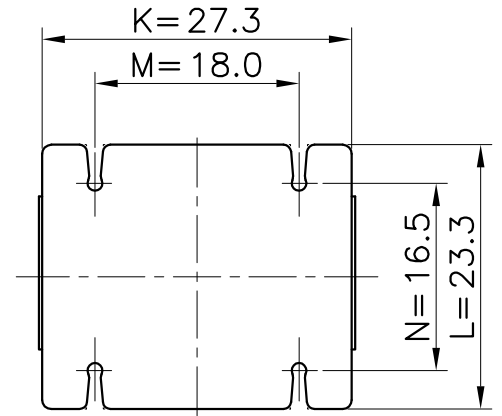
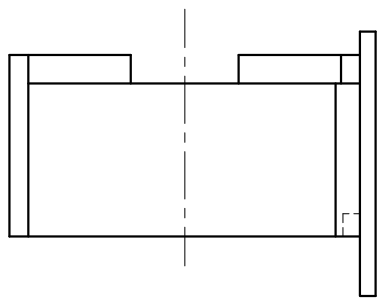


SECTION A-A



* 단암 PDP용

④					
③					
②					
①					

MARK			REVISION NOTE		DATE	DRAWN	CHECKED	APPROVED
DRAWN	CHECKED	APPROVED	MATERIAL : P.B.T	UL REC. : UL94V-0	THIRD ANGLE PROJ.	SCALE : 1.5/1		
Hyo Soon, Moon	Chul, Park	Sung Keun, Lee	Z : PIN LENGTH (According to customer's request)	DATE : 2004.03.24	TOLERANCE : ±0.2 (Unless otherwise specified)	UNIT : m/m		
주식회사 대흥보빈 DAE HEUNG BOBBIN CO., LTD			TITLE OR 25*13*15 CAP (A) (BASE TYPE)		DWG NO DH-040324-6067-05			

양식-도면-01(0)

(주)대흥보빈