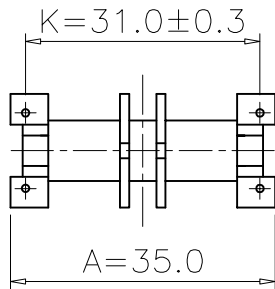
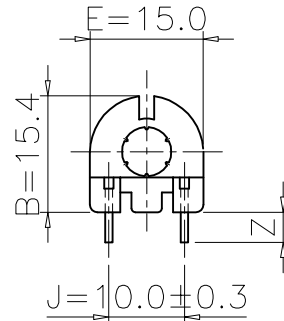
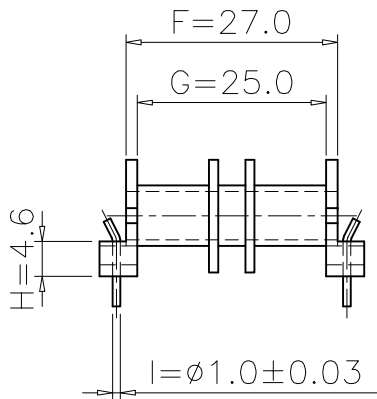


SECTION A-A'



④					
③					
②					
①					

MARK	REVISION NOTE	DATE	DRAWN	CHECKED	APPROVED
------	---------------	------	-------	---------	----------

DRAWN	CHECKED	APPROVED	MATERIAL : P.P	UL REC. : UL94V-0	THIRD ANGLE PROJ.	SCALE : 1/1
Kook Hwa, Han	Hun Hee, Son	Dong Kon, Lee	Z : PIN LENGTH (According to customer's request)	DATE : 1999,12,10	TOLERANCE : ±0.2 (Unless otherwise specified)	UNIT : m/m
주식회사 대흥보빈 DAE HEUNG BOBBIN CO., LTD			TITLE 19" BALANCE BOBBIN		DWG NO DH-971028-6065-00	