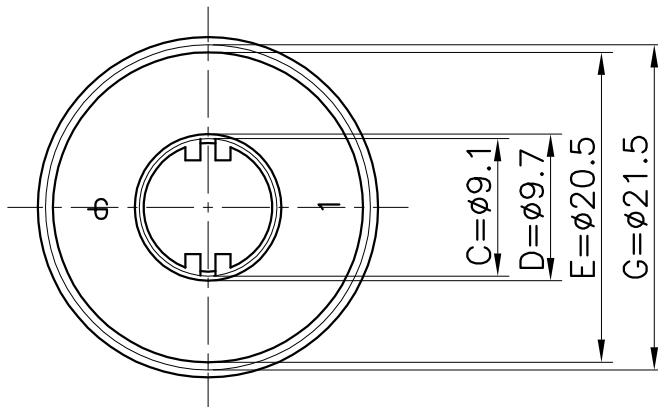
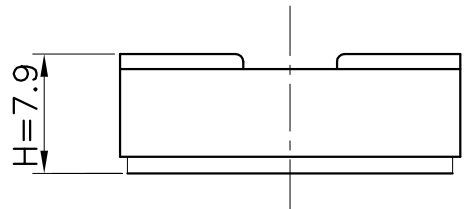


SECTION A-A'



④							
③							
②							
①							
MARK	REVISION NOTE			DATE	DRAWN	CHECKED	APPROVED
DRAWN	CHECKED	APPROVED	MATERIAL : P.P	UL REC. : UL94V-0	THIRD ANGLE PROJ.	SCALE : 2/1	
Hyo Soon, Moon	Chul, Park	Kwan Hee, Lee		DATE : 2004.06.24	TOLERANCE : ±0.2 (Unless otherwise specified)	UNIT : m/m	
주식회사 대흥보빈 DAE HEUNG BOBBIN CO., LTD			TITLE OR 20ø CAP		DWG NO DH-040624-6045-00		

양식-도면-01(0)

(주)대흥보빈