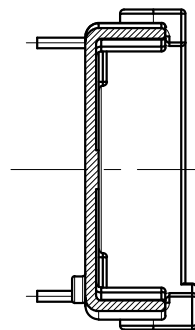
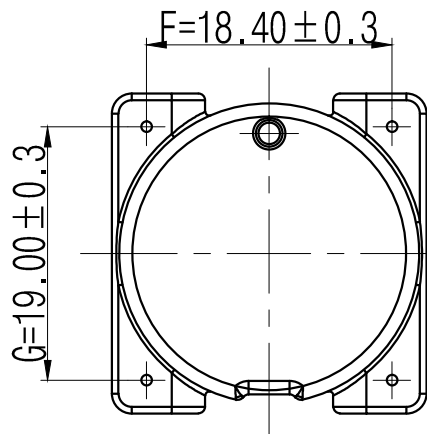


SECTION A-A



SECTION B-B

MARK			REVISION NOTE	DATE	DRAWN	CHECKED	APPROVED
DRAWN	CHECKED	APPROVED	MATERIAL : PHENOL	UL REC. : UL94V-0	THIRD ANGLE PROJ.	SCALE : 1/1	
SI, Kim	SI, Seo	C, Park	Z : PIN LENGTH (According to customer's request)	DATE : 2011.11.21	TOLERANCE : ±0.2 (Unless otherwise specified)		UNIT : m/m
주식회사 대흥보빈 DAE HEUNG BOBBIN CO., LTD			TITLE OR 16φ BASE (4P) (D)		DWG NO DH-111220-6038-09		