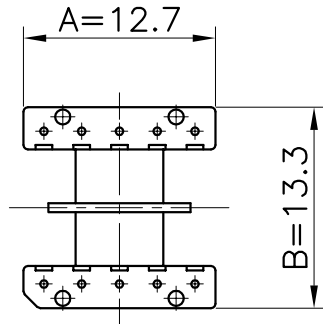
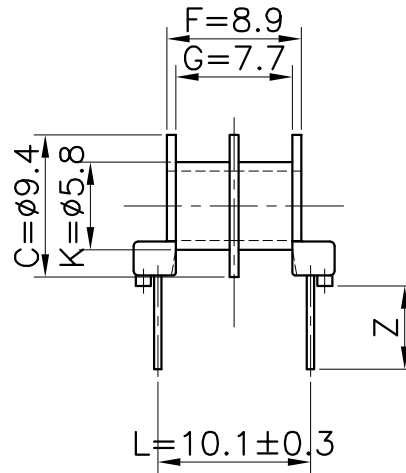
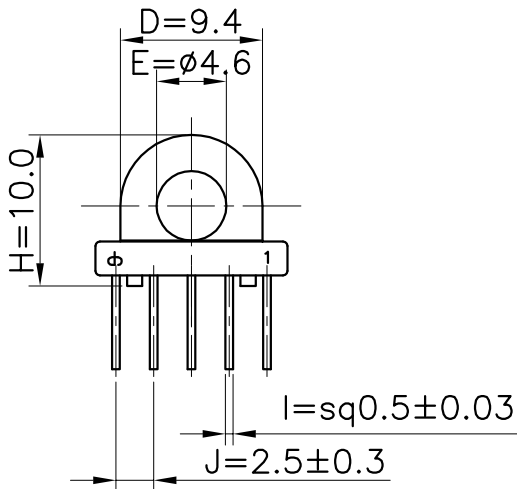


SECTION "A"-"A"



④							
③							
②							
①							
MARK	REVISION NOTE			DATE	DRAWN	CHECKED	APPROVED
DRAWN	CHECKED	APPROVED	MATERIAL : L.C.P	UL REC. : UL94V-0	THIRD ANGLE PROJ.	SCALE : 2/1	
Min Ah, Cho	Han Jung, Seo		Z : PIN LENGTH (According to customer's request)	DATE : 2005.03.10	TOLERANCE : ±0.2 (Unless otherwise specified)	UNIT : m/m	
주식회사 대흥보빈 DAE HEUNG BOBBIN CO., LTD 양식-도면-01(0)			TITLE EP 13 BOBBIN (주)대흥보빈		DWG NO DH-050310-6036-00		