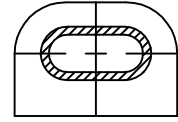
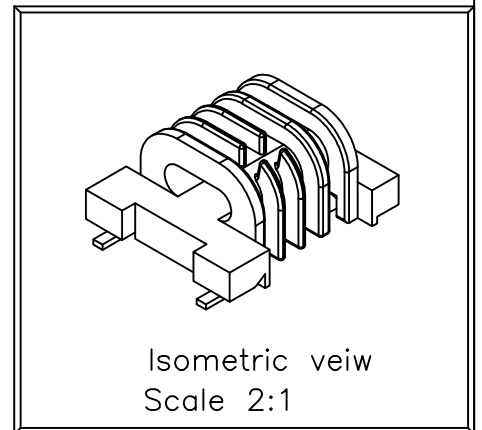
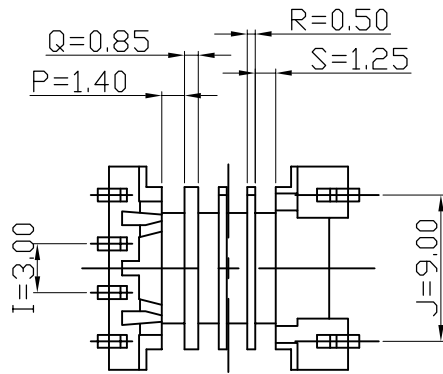
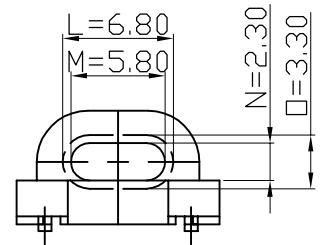
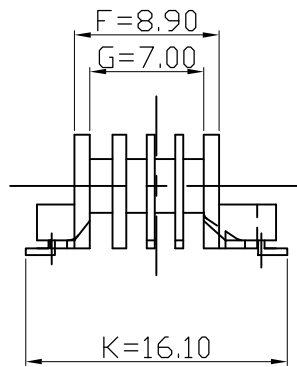
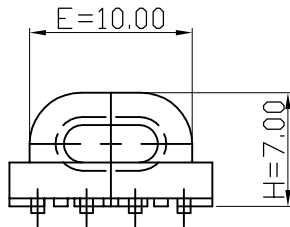


SEC A (1,2)



SEC B (3)



④					
③					
②					
①					

MARK			REVISION NOTE	DATE	DRAWN	CHECKED	APPROVED
DRAWN	CHECKED	APPROVED	MATERIAL : PHENOL	UL REC. : UL94V-0	THIRD ANGLE PROJ.	SCALE : 1/1	
Hyo Soon, Moon	Hyoung Seok, Lee	Hyoung Seok, Kim	Z : PIN LENGTH (According to customer's request)	DATE : 2006.05.12	TOLERANCE : ±0.2 (Unless otherwise specified)	UNIT : m/m	
주식회사 대흥보빈 DAE HEUNG BOBBIN CO., LTD			TITLE EPC 13*13 (6P) H (4F)	DWG NO DH-060512-6035-00			