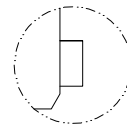
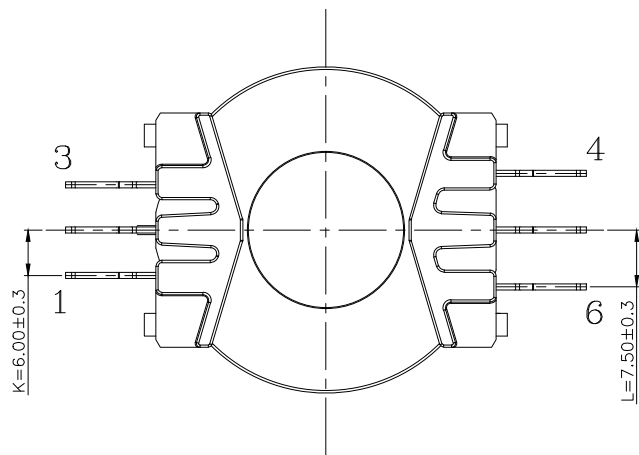


SECTION A-A



DETAIL B  
SCALE 2:1

△								
△								
△								
△								
MARK	REVISION NOTE				DATE	DRAWN	CHECKED	APPROVED
DRAWN	CHECKED	APPROVED	MATERIAL : PHENOL	UL REC. : UL94V-0	THIRD ANGLE PROJ.	SCALE : 1/1		
Sang Han, Kim	Hyung Seok, Lee	Chul, Park		DATE : 2009.10.06	TOLERANCE : ±0.2 (Unless otherwise specified)	UNIT : m/m		
주식회사 대흥보빈 DAE HEUNG BOBBIN CO., LTD.					TITLE	DWG NO		
					PQ 50*16 (6P) "V" (S)	DH-091215-6028-12		