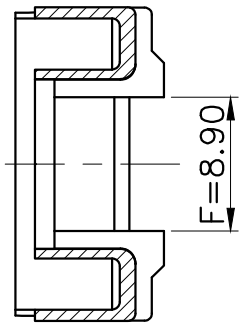
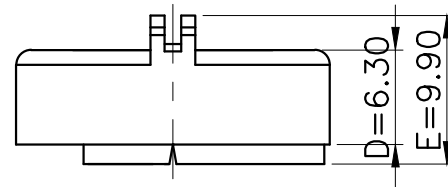
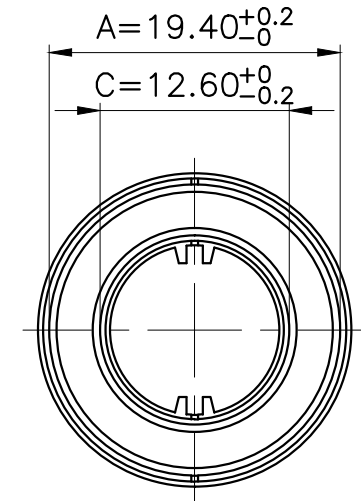
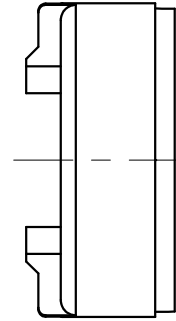
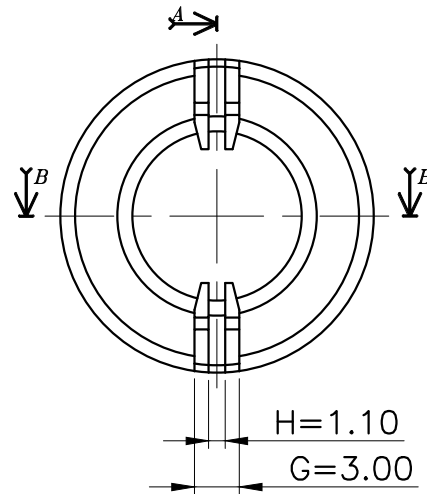


SECTION B-B



SECTION A-A



MARK	REVISION NOTE	DATE	DRAWN	CHECKED	APPROVED
△					
△					
△					
△					
DRAWN	CHECKED	APPROVED	MATERIAL : PBT	UL REC. : UL94V-0	THIRD ANGLE PROJ. SCALE : 1/1
DS, Kim	Hyoung Seok, Lee	Chul, Park		DATE : 2011.02.21	TOLERANCE : ±0.2 (Unless otherwise specified) UNIT : m/m
주식회사 대흥보빈 DAE HEUNG BOBBIN CO., LTD			TITLE OR 19ø CAP		DWG NO DH-110321-6022-02