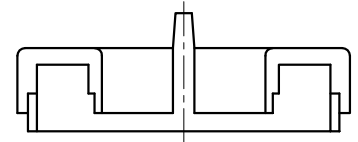
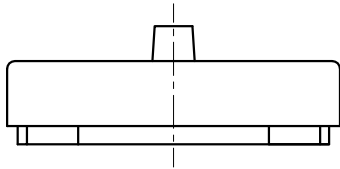
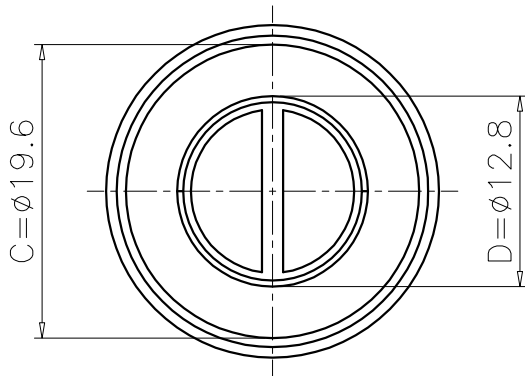


SECTION B-B'



SECTION A-A'



④							
③							
②							
①							
MARK	REVISION NOTE			DATE	DRAWN	CHECKED	APPROVED

DRAWN	CHECKED	APPROVED	MATERIAL : P.B.T	UL REC. : UL94V-0	THIRD ANGLE PROJ.	SCALE : 2/1
Moon Jung, Jang	Hun Hee, Son	Dong Kon, Lee		DATE : 1998,10,27	TOLERANCE : ± 0.2 (Unless otherwise specified)	UNIT : m/m
주식회사 대흥보빈 DAE HEUNG BOBBIN CO., LTD			TITLE T/R 19*6*13 CAP		DWG NO DH-981009-6021-00	