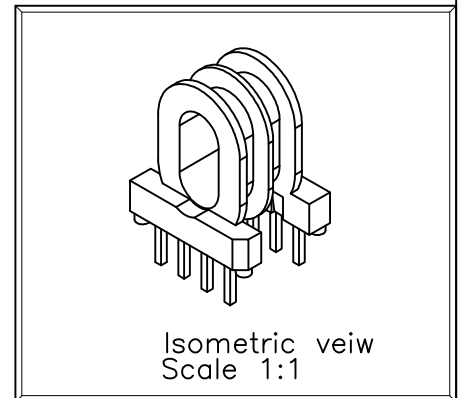
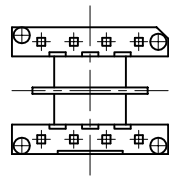
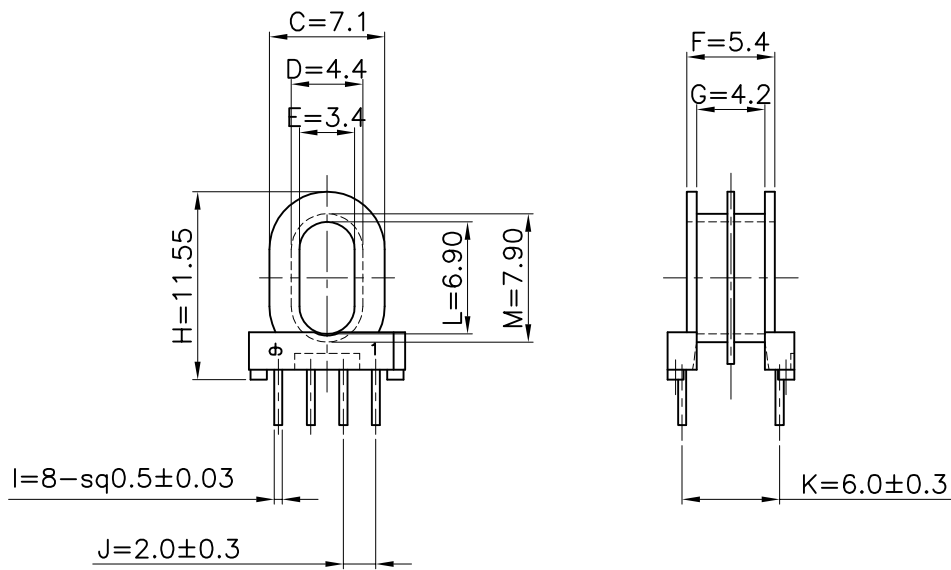


SECTION A-A



④					
③					
②					
①					

MARK REVISION NOTE DATE DRAWN CHECKED APPROVED

DRAWN	CHECKED	APPROVED	MATERIAL : LCP	UL REC. : UL94V-0	THIRD ANGLE PROJ.	SCALE : 1/1
Dea Hun, Kim	Hyoung Seok, Lee	Hyoung Seok, Kim	Z : PIN LENGTH (According to customer's request)	DATE : 2006.10.17	TOLERANCE : ±0.2 (Unless otherwise specified)	UNIT : m/m
주식회사 대흥보빈 DAE HEUNG BOBBIN CO., LTD			TITLE EOP 7.8 (8P) "H" (2F)		DWG NO DH-061017-6005-06	