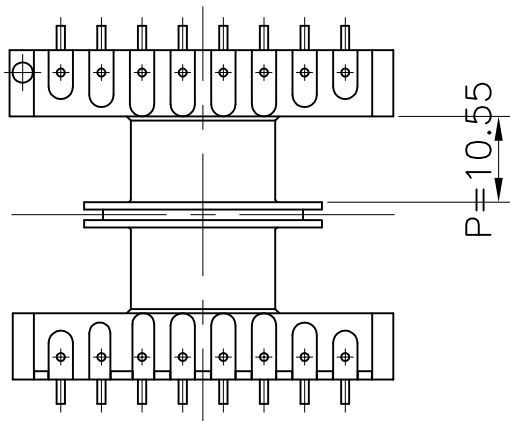
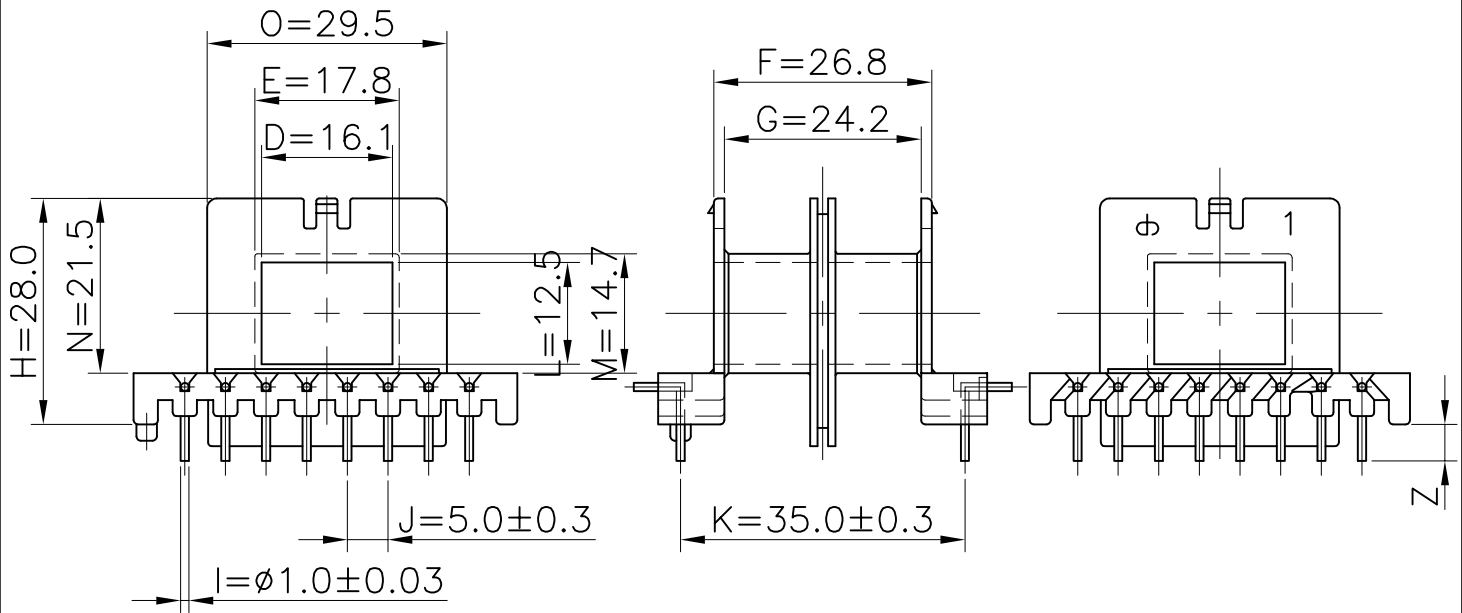


SECTION A-A



④					
③					
②					
①					

MARK REVISION NOTE

DRAWN	CHECKED	APPROVED	MATERIAL : P.B.T	UL REC. : UL94V-0	THIRD ANGLE PROJ.	SCALE : 1/1
Hyo Soon, Moon	Woong Kyu, Kim	Hyoung Seok, Kim	Z : PIN LENGTH (According to customer's request)	DATE : 2005.09.10	TOLERANCE : ±0.2 (Unless otherwise specified)	UNIT : m/m
주식회사 대흥보빈 DAE HEUNG BOBBIN CO., LTD			TITLE EE 50*47 (16P) "H"		DWG NO DH-050910-2074-00	