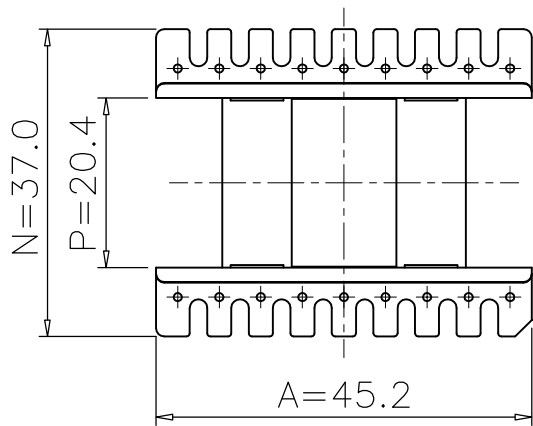
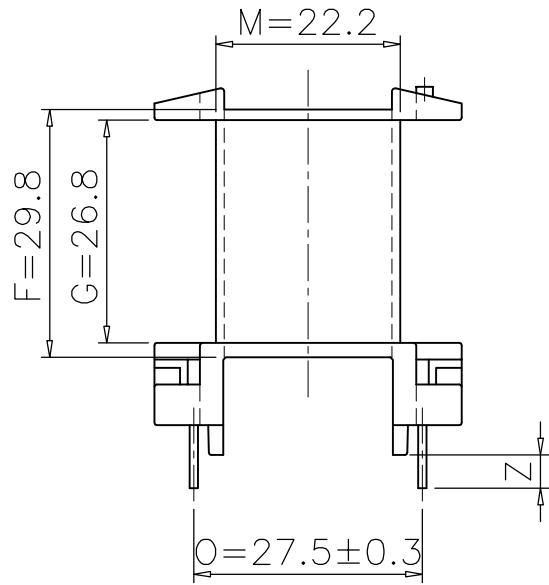
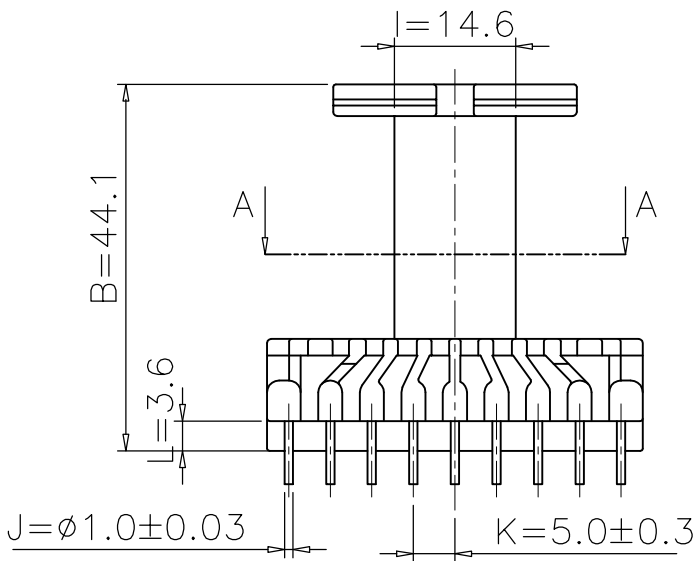


SECTION A-A



④							
③							
②							
①							
MARK	REVISION NOTE			DATE	DRAWN	CHECKED	APPROVED
DRAWN	CHECKED	APPROVED	MATERIAL : PHENOL	UL REC. : UL94V-0	THIRD ANGLE PROJ.	SCALE : 1/1	
Moon Jung, Jang	Hun Hee, Son	Dong Kon, Lee	Z : PIN LENGTH (According to customer's request)	DATE : 2006,08,11	TOLERANCE : ±0.2 (Unless otherwise specified)	UNIT : m/m	
주식회사 대흥보빈 DAE HEUNG BOBBIN CO., LTD			TITLE EE 42*20 (18P) "V"		DWG NO DH-991022-2069-01		