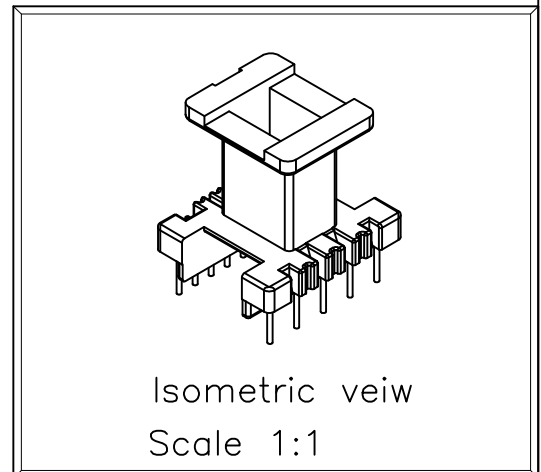
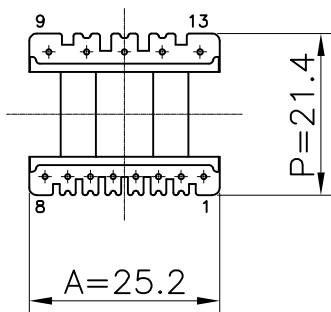
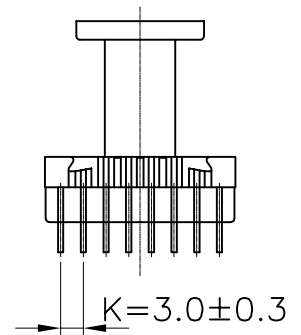
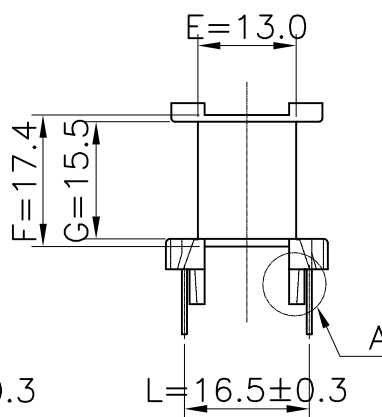
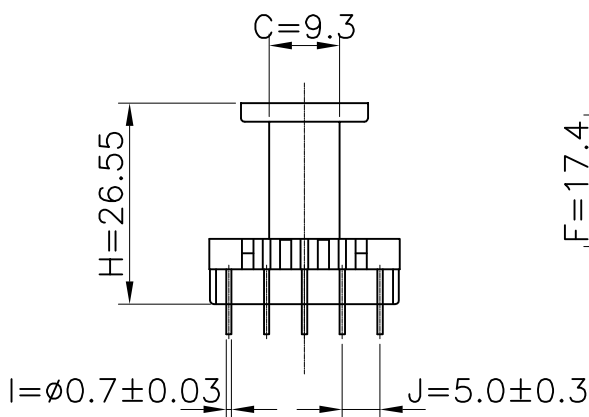


DETAIL "A"
SCALE 4:1



④							
③							
②							
①							
MARK	REVISION NOTE			DATE	DRAWN	CHECKED	APPROVED
DRAWN	CHECKED	APPROVED	MATERIAL : PHENOL	UL REC. : UL94V-0	THIRD ANGLE PROJ.	SCALE : 1/1	
Hyo Soon, Moon	Woong Kyu, Kim	Hyoung Seok, Kim	Z : PIN LENGTH (According to customer's request)	DATE : 2009.04.14	TOLERANCE : ±0.2 (Unless otherwise specified)	UNIT : m/m	
주식회사 대흥보빈 DAE HEUNG BOBBIN CO., LTD			TITLE EE 25*25 (13P) "V"		DWG NO DH-060125-2039-01		