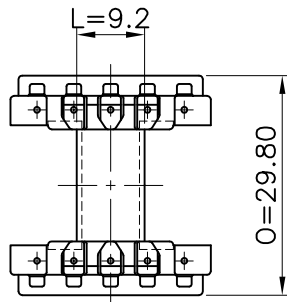
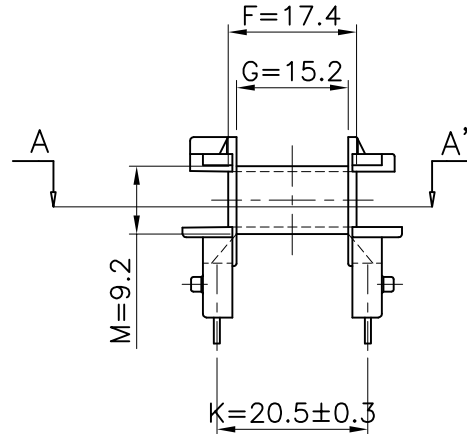
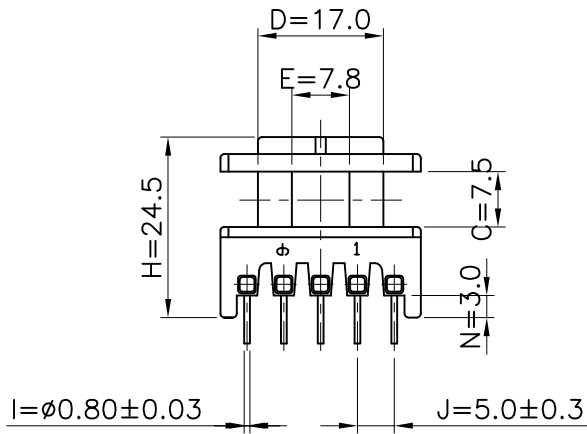


VIEW A-A''



④					
③					
②					
①					

MARK	REVISION NOTE			DATE	DRAWN	CHECKED	APPROVED
DRAWN	CHECKED	APPROVED	MATERIAL : PHENOL	UL REC. : UL94V-0	THIRD ANGLE PROJ.	SCALE : 1/1	
Dea Hun, Kim	Hyoung Seok, Lee	Hyoung Seok, Kim	Z : PIN LENGTH (According to customer's request)	DATE : 2006.12.22	TOLERANCE : ± 0.2 (Unless otherwise specified)	UNIT : m/m	
주식회사 대흥보빈 DAE HEUNG BOBBIN CO., LTD			TITLE EE 25*25 (10P) "H" (A)		DWG NO DH-061222-2038-00		