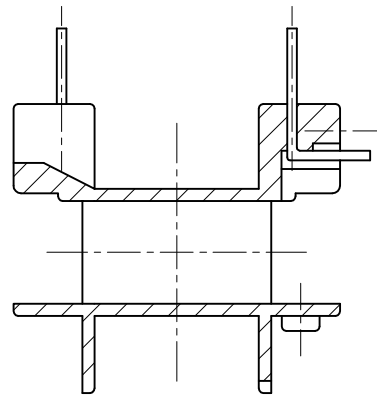
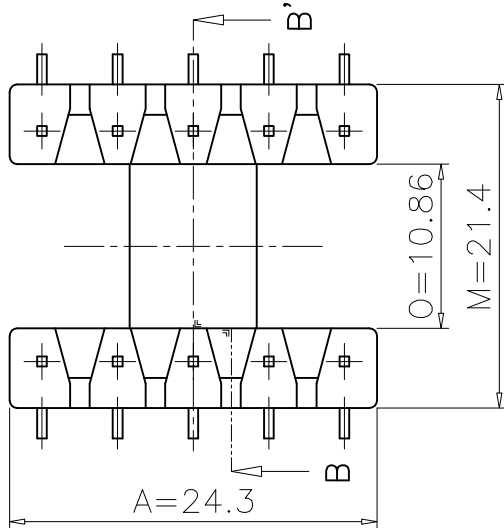
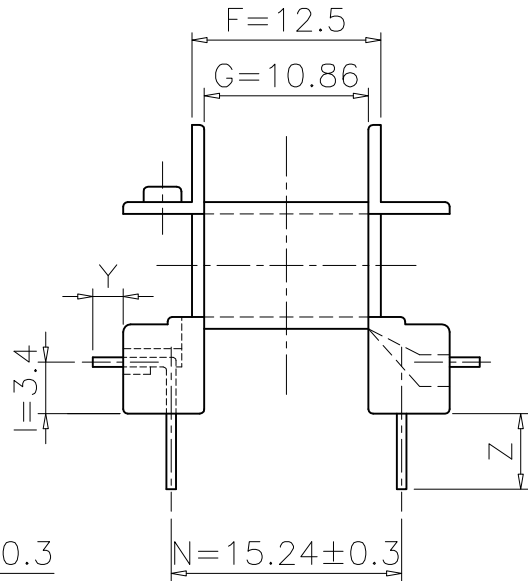
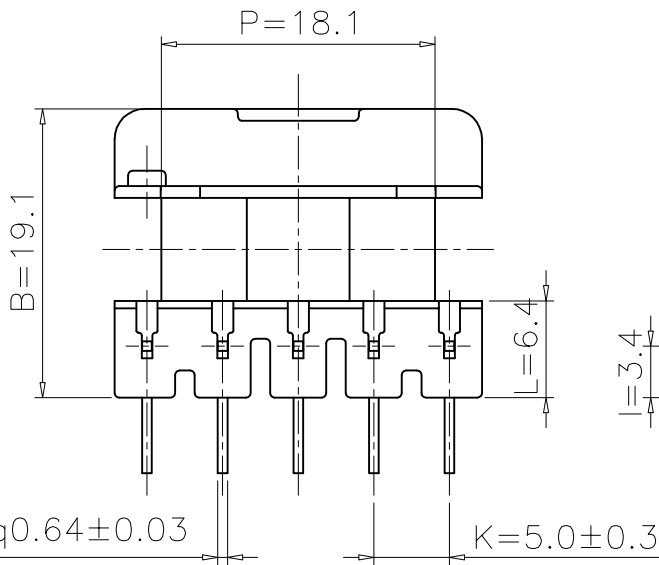


SECTION A-A'



SECTION B-B'

④							
③							
②							
①							
MARK	REVISION NOTE			DATE	DRAWN	CHECKED	APPROVED

DRAWN	CHECKED	APPROVED	MATERIAL : P.E.T	UL REC. : UL94V-0	THIRD ANGLE PROJ.	SCALE : 2/1
Moon Jung, Jang	Hun Hee, Son	Dong Kon, Lee	Y, Z : PIN LENGTH (According to customer's request)	DATE : 1999,10,02	TOLERANCE : ±0.2 (Unless otherwise specified)	UNIT : m/m
주식회사 대흥보빈 DAE HEUNG BOBBIN CO., LTD			TITLE EE 25*19 (10P) "H"		DWG NO DH-990830-2029-01	