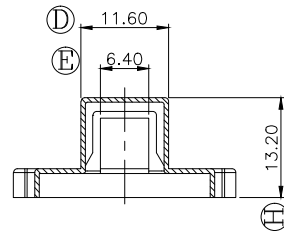
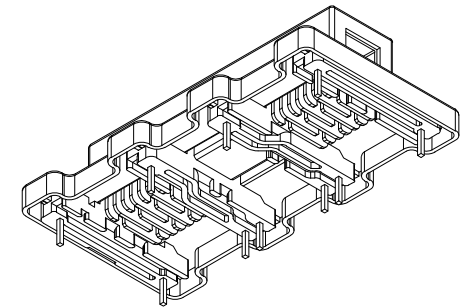
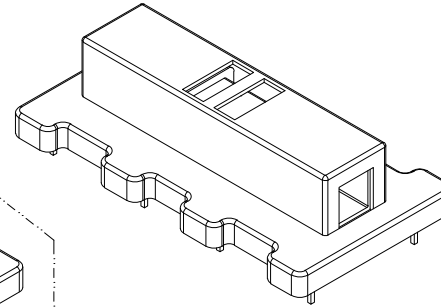
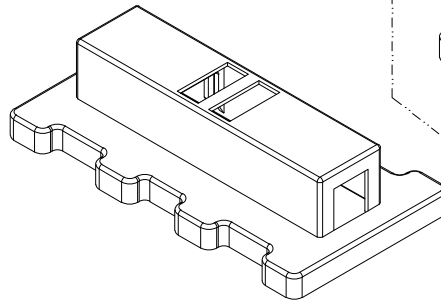
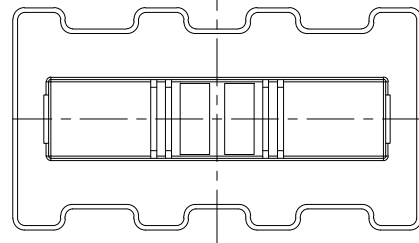
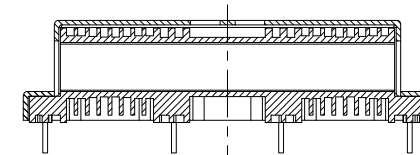
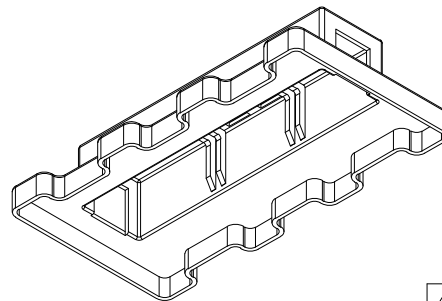


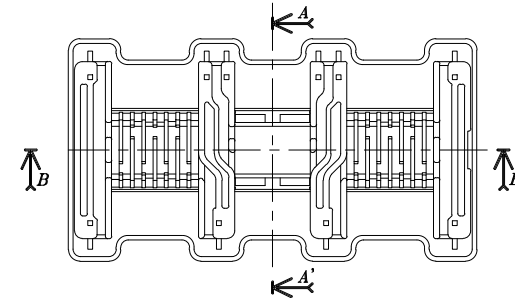
SECTION B-B'



SECTION A-A'



SECTION B-B'



SECTION A-A'

④								
③								
②								
①								
MARK	REVISION NOTE				DATE	DRAWN	CHECKED	APPROVED
	DRAWN	CHECKED	APPROVED	MATERIAL : P.E.T	UL REC. : UL94V-0	THIRD ANGLE PROJ.	SCALE : 1/1	
	Dae Soo, Kim	Hyung Seok, Lee	Chul, Park		DATE : 2009.04.01	TOLERANCE : ±0.2 (Unless otherwise specified)	UNIT : m/m	
	주식회사 대흥보빈 DAE HEUNG BOBBIN CO., LTD			TITLE EE 18*52 CAP (C)		DWG NO DH-091030-2005-10		