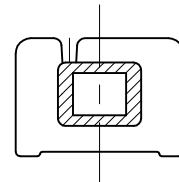
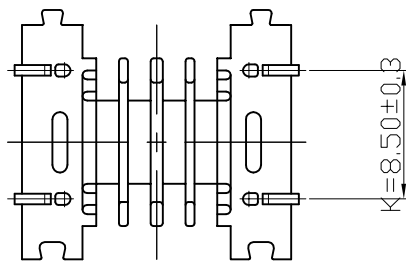
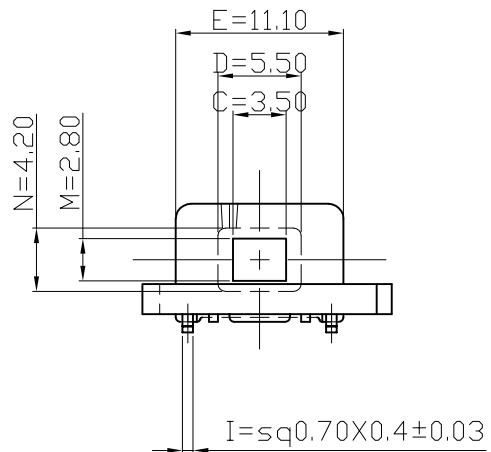
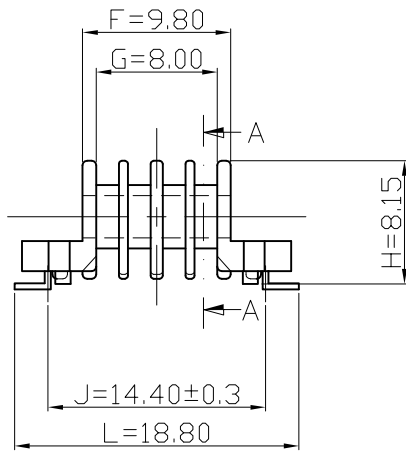
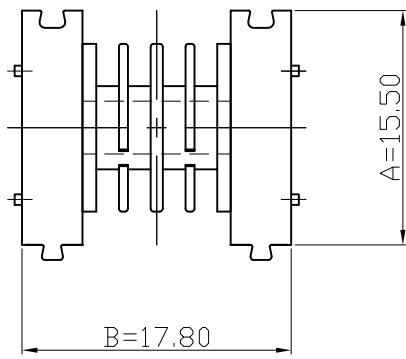


* Sample Mold



SECTION A-A

4							
3							
2							
1							
MARK	REVISION NOTE			DATE	DRAWN	CHECKED	APPROVED
	DRAWN	CHECKED	APPROVED	MATERIAL : PHENOL	UL REC. : UL94V-0	THIRD ANGLE PROJ.	SCALE : 1/1
	Hyo Soon, Moon	Woong Kyu, Kim	Hyoung Seok, Kim	Z : PIN LENGTH (According to customer's request)	DATE : 2005.11.22	TOLERANCE : ±0.2 (Unless otherwise specified)	UNIT : m/m
	주식회사 대흥보빈 DAE HEUNG BOBBIN CO., LTD			TITLE EE 18*15 (4P) "H" (4F)		DWG NO DH-051122-2004-05	