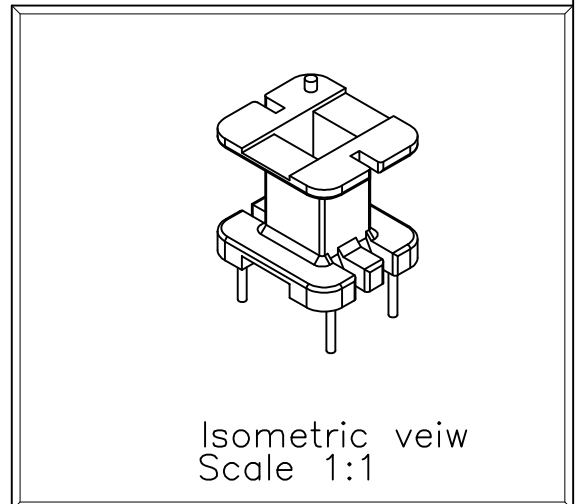
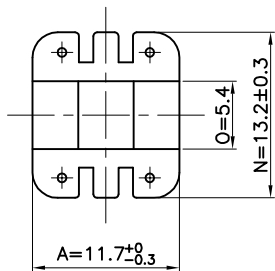
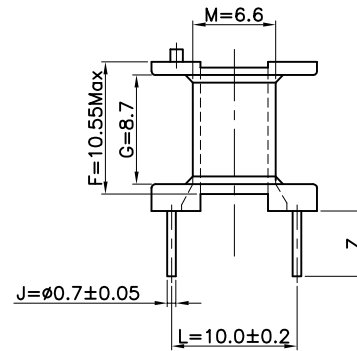
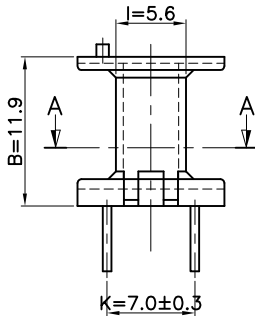


SECTION A-A



| | | | | | | | |
|------|---------------|--|--|------|-------|---------|----------|
| ④ | | | | | | | |
| ③ | | | | | | | |
| ② | | | | | | | |
| ① | | | | | | | |
| MARK | REVISION NOTE | | | DATE | DRAWN | CHECKED | APPROVED |

| | | | | | | |
|--|------------------|------------------|---|-------------------|--|-------------|
| DRAWN | CHECKED | APPROVED | MATERIAL : PHENOL | UL REC. : UL94V-0 | THIRD ANGLE PROJ. | SCALE : 1/1 |
| Dea Hun, Kim | Hyoung Seok, Lee | Hyoung Seok, Kim | Z : PIN LENGTH (According to customer's request) | DATE : 2007.11.26 | TOLERANCE : ±0.2 (Unless otherwise specified) | UNIT : m/m |
| 주식회사 대흥보빈 DAE HEUNG BOBBIN CO., LTD | | | TITLE EE 16*14 (4P) "V" | | DWG NO DH-071126-2002-05 | |