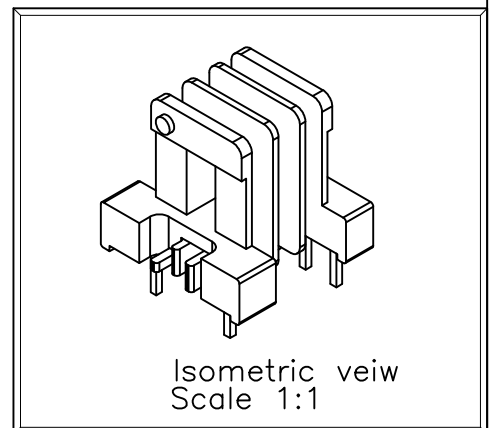


SECTION A-A

SECTION B-B



④							
③							
②							
①							
MARK	REVISION NOTE			DATE	DRAWN	CHECKED	APPROVED
DRAWN	CHECKED	APPROVED	MATERIAL : PET	UL REC. : UL94V-0	THIRD ANGLE PROJ.	SCALE : 1/1	
Dea Hun, Kim	Hyoung Seok, Lee	Hyoung Seok, Kim	Z : PIN LENGTH (According to customer's request)	DATE : 2007.06.26	TOLERANCE : ±0.2 (Unless otherwise specified)	UNIT : m/m	
주식회사 대흥보빈 DAE HEUNG BOBBIN CO., LTD			TITLE EE 13*12 (6P) "H" (3F) (2+4)		DWG NO DH-070626-2001-15		